

**Steam Vac Models with five rotating brushes**

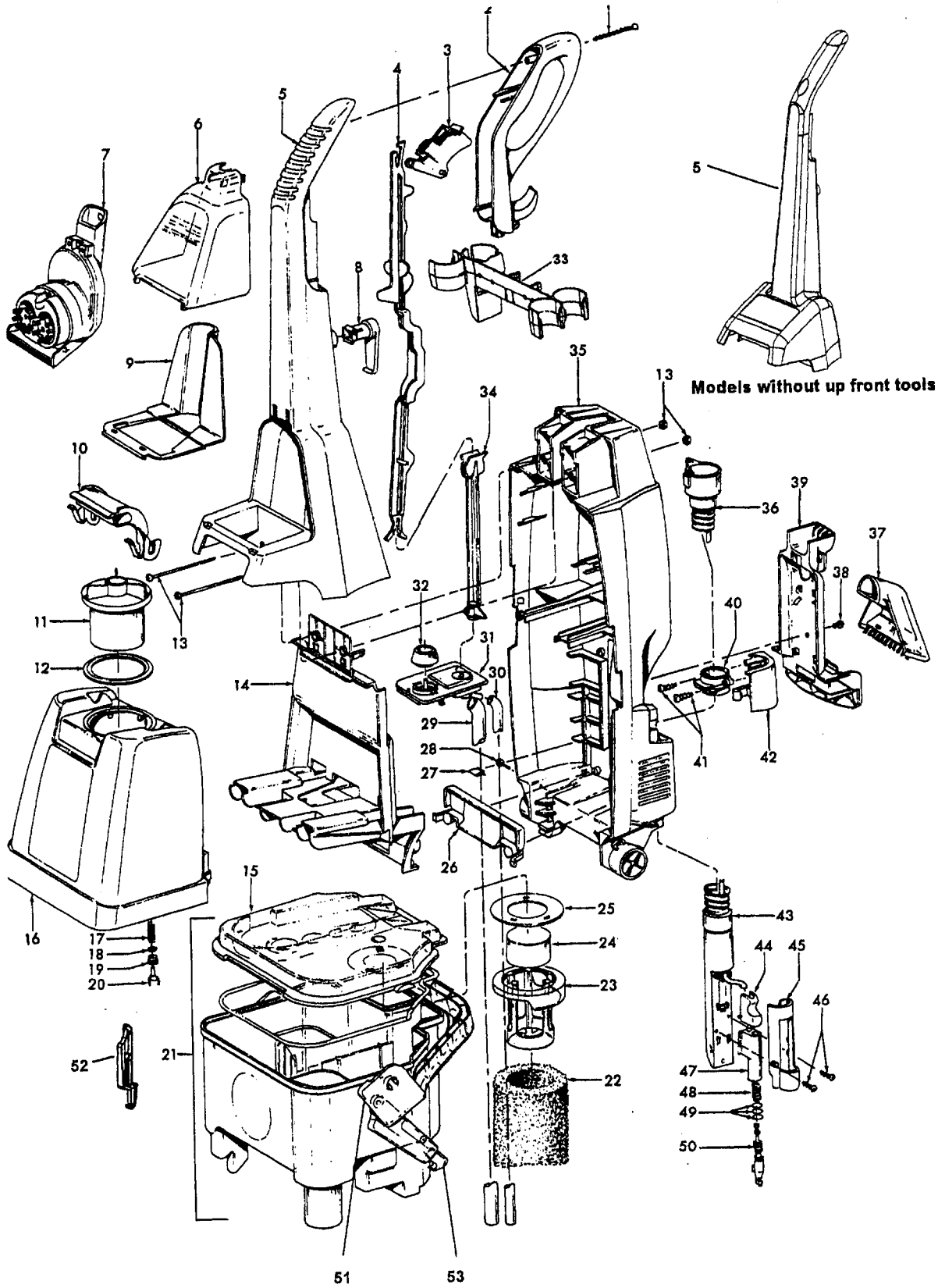
**Models F5862-900, F5866-900, F5874-900  
F5882-900, F5887-910, F5887-920**

Ref. No.	Part No.	Description
1	21447003	* Screw
2	21447247	Screw
3	23149002	Screw
4	40309002	Tubing Assembly
5	40309002	Tubing Assembly
6	43466071	Duct
7	51865024	* On Off Label
8	51638055	* Handle Release Label
9	38421093	Indicator Knob
10	51438006	Nameplate - Tool Mode
11	39383106	Lens
<b>Note: All Hoods include items 11 &amp; 17</b>		
12	37271078	Hood - AG - F5862-900
	37271073	Hood - ADG - F5866-900, F5882-900
	37271079	Hood - ABR - F5887-910, F5887-920
	37271077	Hood - NAA - F5874-900
13	51855031	Agitator Speed Label
14	21447217	* Screw
15	42191007	Motor Cover / Valve Assembly (Includes items 52 and 54)
16	36439001	Valve Crank Arm
17	43613009	Screen Assembly
18	N/A	
19	Not Applicable	* Indicator Label - Green
20	38458024	Turbine Actuator Arm
21	36132003	Over Center Spring
22	38458042	Handle Release Lever
23	38356013	Spring
24	38333009	Spring
25	43191003	Turbine Assem. (Incl. It. 18, 23, 24)
26	40309002	Tubing Assem.
27	32434007	Rear Axle (2)
28	38522076	Rear Wheel (2)
29	38784063	Standpipe Seal
30	160017	* Lock Ring
31	43582005	Pump Assembly
32	48437022	Brush Block
33	21447072	* Screw (2)
34	21479438	* Screw (2)
35	37272090	Main Body
36	36172016	Cord Retainer
37	28218048	Switch
38	36131086	Trunnion Cover - L.H.

Ref. No.	Part No.	Description
39	38434025	Switch Actuator Lever
40	36131085	Trunnion Cover - R.H.
41	38781048	Motor Base Seal
42	46583056	Cord - 30' - Ametek Motor
	46583044	Cord - 30' - Hoover Motor
43	27212051	+ Motor Assembly - 12 Amp - Ametek
	43576197	Motor Assembly - 12 Amp - Hoover
44	34113004	Motor Seal
45	43436016	Hose Assembly
46	25156518	"O" Ring
47	21447246	Screw
48	38783023	Valve Tank Seal
49	25156517	* "O" Ring
50	38719039	Solution Hose Coupler
51	38783024	Valve Duct Seal
52	36151021	Latch Lock - LH
53	Not Applicable	Speed Nut
54	36151020	Latch Lock - RH
55	21447232	* Screw (2)

**Items not illustrated**

Lead Wires	
49811079	Lead Wire - White (From white cord lead to motor)
49811081	Lead Wire - Red (From black cord lead to switch)
49811080	Lead Wire - Purple (From switch to motor)



Ref. No.	Part No.	Description
1	21447248	Screw
2	39458006	Handle Lever Guard
3	38434028	Trigger
4	38458037	Upper Control Rod
5	<b>Note: Upper Handle's include items 1, 2, 3, 4, 8</b>	
	39466050	Upper Handle-F5862-900, F5866-900, F5874-900
	39466049	Upper Handle - F5887-910, F5887-920
6	37276014	Tool Cover - F5887-910, F5887-920
7	48439002	Turbine Nozzle - F5874-900, F5887-910
	48439003	Turbine Nozzle - F5887-920
8	39442041	Cord Wrap
9	36433127	Tool Holder - F5887-910, F5887-920
10	39457016	Solution Tank Handle
11	42272002	Solution Tank Cap (Inc. item 12)
12	38784062	Gasket
13	40201154	Handle Hardware Assem. - F5866-900, F5882-900
	40201171	Handle Hardware Assem. - F5862-900, F5887-910
14	37276002	Handle Cover
15	42272120	Lid Assem. (Inc. it. 22,23,24,25)
	42272123	Lid Assembly (See note)
16	42272134	Solution Tank Assem. (Incl. It. 10,11,12,17,18,19,20)
17	38312014	Spring
18	Not Applicable	Washer - Brass
19	38784061	Valve Seal
20	38717009	Valve Stem
21	<b>Note: Rec. Tanks include items 15, 51, 52, 53</b>	
	38777065	Recovery Tank
	38777070	Recovery Tank ( See note)
22	43611041	Tank Filter
23	38719027	Float Retainer
	38719043	Float Retainer (See note)
24	25661016	Float
	43538001	Float (See note)
25	38784070	Seal
26	37276010	Solution Tube Cover
27	Not Applicable	Retaining Clip
28	21447244	Screw - Special
29	40309002	Service Tubing
30	40309002	Service Tubing
31	43516008	Reservoir Assem. (Incl. It. 32)
32	38784060	Solution Tank Seal
33	36433129	Hose/ Nozzle Holder
34	38458033	Control Rod Lower

Ref. No.	Part No.	Description
35	39466037	Lower Handle
36	43436016	Hose Assem. (Incl. It. 37 & 43 thru 50)
37	38613040	Nozzle Body
38	21447041	* Screw
39	36433131	Tool Rack - Lower
40	36171032	Hose Clamp
41	21447228	* Screw (2)
42	36131097	Hose Cover
43	43436016	Hose Assem. (Incl. It. 37 & 43 thru 50)
44	38433074	Trigger
45	37276006	Wand Cover
46	21447239	* Screw
47	43513011	Wand/ Valve Assembly
48	38312019	Spring
49		O ring (Included with item 50)
50	43412007	Nozzle Valve Assembly
51	39457017	Recovery Tank Handle
52	36153059	Latch Arm - RH
53	36153060	Latch Arm - LH

**Accessories**

57333016	Carpet Solution - 16 oz.
40302016	Pre-Cleaner - 16 oz.
40303032	Bare Floor Sol. - 32 oz.
40301064	Carpet Solution - 64 oz.
40305032	Pet Stain and Odor Remover - 32 oz.
57362001	Dust Mite / Flea Control - 4 oz.
43412003	Sprayer (Used with 16 oz. bottles)
43412009	Sprayer (Used with 32 oz. Pet Stain and Odor Remover)
39514001	Nozzle Cleanout Tool - F5862-900, F5887-910, F5887-920
48417003	Bare Floor Tool - F5862-900, F5874-900, F5887-910
38617028	Crevice Tool - F5887-920
48437028	Scrub Module Assem. - F5887-920

**Packaging Material**

56518131	Owner Manual - F5862-900
56518139	Owner Manual - F5887-920
56518098	Owner Manual - F5866-900, F5874-900, F5882-900
56518121	+ Owner Manual - F5887-910
58176023	Carton - Common (plain brown)
58176140	Carton - F5866-950

Note: Models produced after January 2002 incorporated a new recovery tank without a tank filter.