

Ref. No.	Part No.	Description
1	21447248	Screw
2	39458006	Handle Lever Guard
3	38434028	Trigger
4	38458037	Upper Control Rod
5		Note: Upper handles include items 1, 2, 3, 4, 8
	39466004	Upper Handle
	39466049	Upper Handle-F5893-910,F5897-900 F5898-900, F5899-900,F5899-910
6	37276012	Tool Door
7	48439003	Turbine Nozzle (Inc. Item 51)
8	39442041	Cord Wrap
9	36433141	Tool Holder - ACZ
10	39457016	Solution Tank Handle
11	42272002	Solution Tank Cap (inc. item 12)
12	38784062	Gasket
13	40201154	Handle Hardware Assembly
	40201171	Handle Hardware Assm. F5893-910, F5897-900, F5898-900, F5899-900, F5899-910
14	37276002	Handle Cover
15	42272120	Lid Assem. (Incl. it. 22,23,24,25)
	42272123	Lid - Models with screen in tank
16		Note: Solution Tank' s include items 10,11,12,17,18,19,20
	42272134	Solution Tank Assembly
17	38312014	Spring
18		
19	38784061	Valve Seal
20	38717009	Valve Stem
21		Note: All Recovery Tank's include item 15
	38777065	Recovery Tank
	38777070	Recovery Tank - Models with no tank filter. Screen in tank.
22	43611041	Tank Filter
23	38719027	Float Retainer
	38719043	Float Retainer - Models with screen in tank.
24	43538001	Float
25	38784070	Seal
26	37276010	Solution Tube Cover
27	21378162	+ Retaining Clip
28	21447244	Screw - Special
29	40309002	Service Tubing
30	40309002	Service Tubing
31	43516008	Reservoir Assem. (Incl. It. 32)
32	38784060	Solution Tank Seal
33	36172005	Hose/ Nozzle Holder
	36433129	Hose / Nozz. Holder w/ Holster - F5897-900, F5898-900, F5899-900, F5899-910
34	38458033	Control Rod Lower
35	39466037	Lower Handle

Ref. No.	Part No.	Description
36		Note: All Hose Assembly's include items 33, & 37 thru 50
	43436011	Hose Assembly
	43436016	Hose Assembly - F5893-910, F5897-900, F5898-900, F5899-900, F5899-910
37	38613040	Nozzle Body (w/ release tab)
38	21447041	* Screw
39	36433131	Tool Rack - Lower
40	36171032	Hose Clamp
41	21447228	* Screw (2)
42	36131097	Hose Cover
43		See item 36 for part number
44	38433074	Trigger
45	37276006	Wand Cover
46	21447239	* Screw
47	43513011	Wand/ Valve Assembly
48	38312019	Spring
49		O ring (Included with item 50)
50	43412007	Nozzle Valve Assembly
51	48437027	Upholstery Module Assem.
52	48437028	Scrub Module Assem.

Accessories

48417003	Bare Floor Tool - All Models
57333016	Carpet Solution - 16 oz.- All Models
N/A	Bare Floor Solution -16
40303032	Bare Floor Solution - 32 oz.
39514001	Nozzle Clean Out Tool - F5895-900 F5899-900, F5899-910
38617028	Crevice Tool -F5893-900, F5893-910

Scrub & Upholstery Nozzle Parts

38613038	Nozzle Body
48434006	Brush Assembly (2 req'd)
40308001	Scrub Pad Poly Pack

Items Not Illustrated

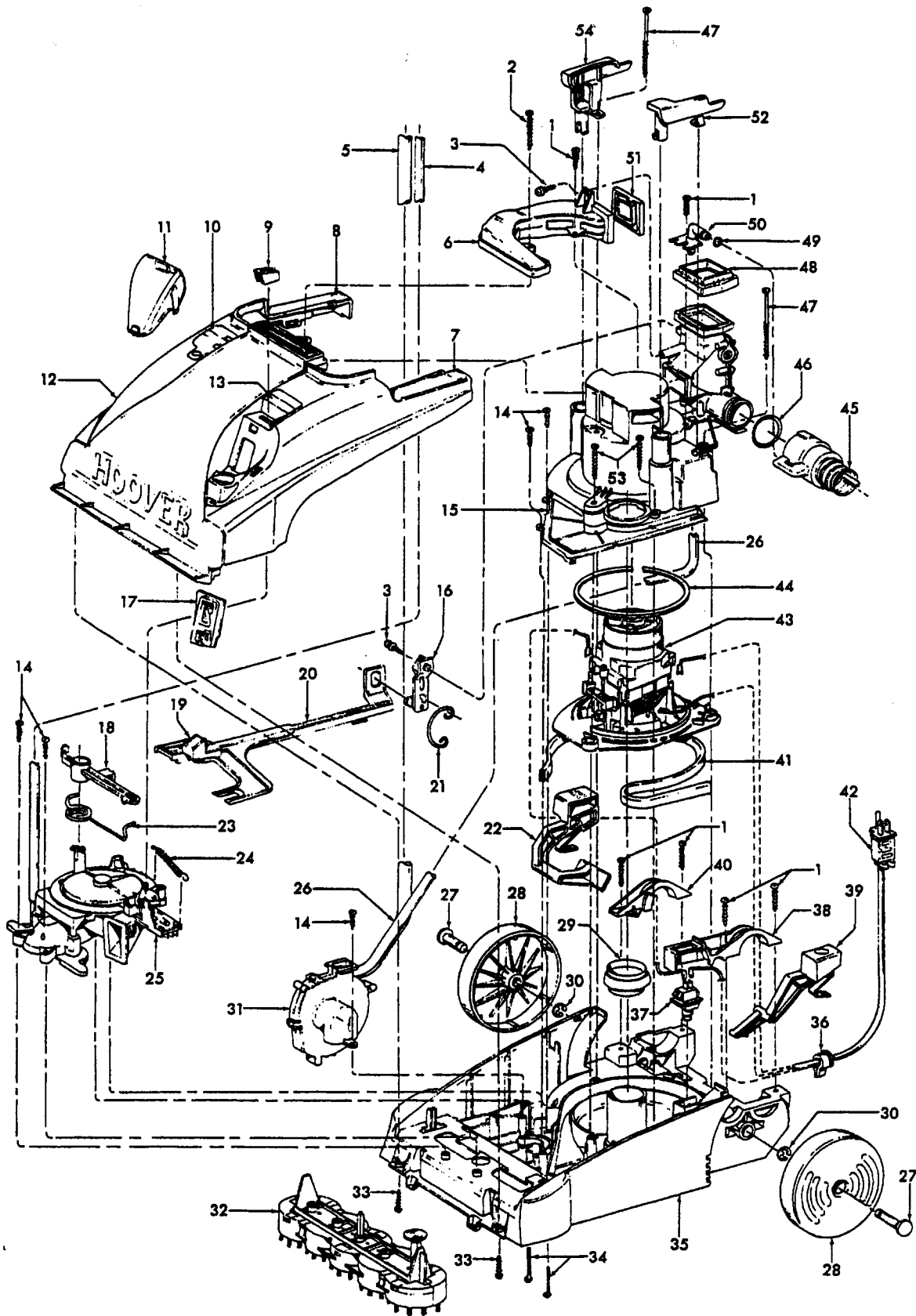
49811039	Lead Wire
48445003	Brush Back Assem.
38717013	+ Check Valve (Tank Cap)

Recovery Tank Parts

36153029	Latch Arm - RH
36153060	Latch Arm - LH
39457017	Recovery Tank Handle

Packaging Material

56518116	Owner Manual
56518124	Owner Manual - F5893-900, F5893-910, F5896-950
58176023	Carton - Common (plain brown)
58176105	Carton - F5896-950



Ref. No.	Part No.	Description	Ref. No.	Part No.	Description
1	21447003	* Screw	33	21447072	* Screw (2)
2	21447247	Screw	34	21479438	* Screw (2)
3	23149002	Screw	35	37272088	Main Body
4	40309002	Tubing Assembly		37272090	Main Body - F5893-910, F5897-900, F5898-900, F5899-900
5	40309002	Tubing Assembly		42274006	Main Body - F5899-910 (Inc. exhaust duct cover)
6	43466071	Duct			
7	51865024	* On Off Label	36	36172016	Cord Retainer
8	51638055	* Handle Release Label	37	28218048	Switch
9	38421093	Indicator Knob	38	36131086	Trunnion Cover - L.H.
10	51438006	Nameplate - Tool Mode	39	38434025	Switch Actuator Lever
11	39383106	Lens	40	36131085	Trunnion Cover - R.H.
12	Note: All Hoods Include items 11 and 17		41	38781048	Motor Base Seal
	37271058	Hood - ACM - F5892-900, F5892-950	42	46583044	Cord (use with Hoover Motor)
	37271059	+ Hood - ADD - F5894-900		46583056	Cord (use with 12 amp Ametek motor)
	37271048	Hood - AAY - F5896-950	43	43576202	Motor (Hoover 7.9 amp)
	37271079	Hood - ABR - F5899-900, F5899-910		27212051	+ Motor (Ametek - 12 amp) F5893-910, F5897-900, F5898-900, F5899-900
	37271081	Hood - AFF - F5898-900		43576197	Motor (Hoover - 12 amp) F5893-910, F5897-900, F5898-900, F5899-900, F5899-910
	37271080	Hood - AES - F5897-900			
	37271083	Hood - AG - F5893-900, F5893-910, F5895-900		41311016	Motor Brush (Fits Hoover Motor)
13	51855031	Brush Speed Nameplate	44	34113004	Motor Seal
14	21447217	* Screw	45	43436011	Hose Assem (w/ release tab)- See page 80 for hose parts.
15	42191007	Motor Cover / Valve Assembly		43436016	Hose Assembly - F5893-910, F5897-900, F5898-900, F5899-900
16	36439001	Valve Crank Arm	46	25156518	"O" Ring
17	43613009	Screen Assembly	47	21447246	Screw
18	N/A		48	38783023	Valve Tank Seal
19	51611008	* Indicator Label - Green	49	25156517	* "O" Ring
20	38458024	Turbine Actuator Arm	50	38719039	Solution Hose Coupler
21	36132003	Over Center Spring	51	38783024	Valve Duct Seal
22	38458042	Handle Release Lever	52	36151021	Latch Lock - LH
23	38356013	Spring	53	21447232	* Screw (2)
24	38333009	Spring	54	36151020	Latch Lock - RH
25	43191003	Turbine Assembly (Incl. It. 18, 23, 24)	Items not illustrated		
26	40309002	Tubing Assem.	49811079		Lead Wire - White (From White Cord Lead to Motor) F5893-910, F5897-900, F5898-900, F5899-900
27	32434007	Rear Axle (2)	49811081		Lead Wire - Black (From Black Cord lead to Switch) F5893-910, F5897-900, F5898-900, F5899-900
28	38522076	Rear Wheel (2)	49811087		Lead Wire - Lt. Blue (From Switch to motor) F5893-910, F5897-900, F5898-900, F5899-900
29	38784063	Standpipe Seal	38769028		Exhaust Duct Cover - F5899-910
30	160017	* Lock Ring			
31	43582005	Pump Assembly			
32	48437022	Brush Block			