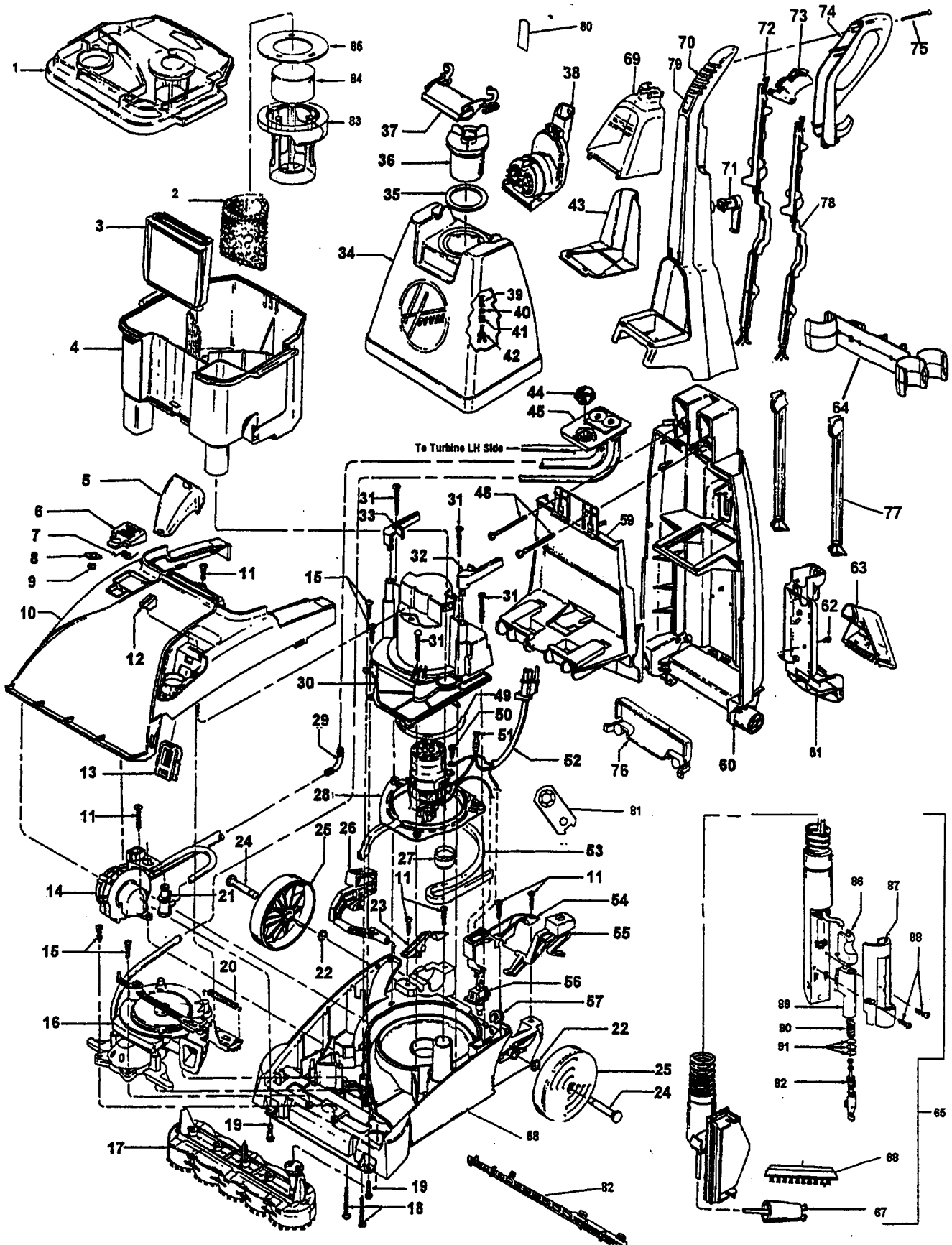


Upright Extractor

Models F5903-900, F5904-900, F5905-900,  
F5910-900, F5912-900, F5914-900



# Upright Extractor

# Models F5903-900, F5904-900, F5905-900, F5910-900, F5912-900, F5914-900

| Ref. No. | Part No.  | Description                                 |
|----------|---|---|
| 1        | 42272111  | Recovery Tank Lid Assembly (Incl. It. 2)    |
| 2        | 43611041  | Tank Filter                                 |
| 3        | 38661003  | Duct - AFG                                  |
| 4        | 38777071  | Recovery Tank (Inc. Items 1, 2, 3)          |
| 5        | 39383106  | Lens  |
| 6        | <b>Note: All Doors include Items 8 &amp; 9</b>  |   |
|          | 37257288  | Door - NAA - F5910-900                      |
|          | 37257297  | Door - AG - F5903-900, F5904-900, F5912-900 |
|          | 37257307  | Door - AFT - F5914-900                      |
|          | 37257308  | Door - ADM - F5905-900                      |
| 7        | 38351017  | Spring -Access Door                         |
| 8        | 38783021  | Seal  |
| 9        | 21362006  | * Speed Nut                                 |
| 10       | <b>Note: All Hoods include Items 6, 7, 8, 9</b> |   |
|          | 37271108  | Hood - AFM - F5903-900                      |
|          | 37271114  | Hood - ABW - F5904-900                      |
|          | 37271109  | Hood - NAA - F5910-900                      |
|          | 37271096  | Hood - AG - F5912-900                       |
|          | 37271110  | Hood - AFT - F5914-900                      |
|          | 37271111  | Hood - ADM - F5905-900                      |
| 11       | 21447020  | * Screw - Self Tapping (5)                  |
| 12       | 38421093  | Indicator Knob                              |
| 13       | 43613009  | Screen Assembly                             |
| 14       | 43582003  | Pump Assembly (Incl. It. 21)                |
| 15       | 21447217  | * Screw - Self Tapping (5)                  |
| 16       | 43191008  | Turbine and Gear Assembly (Incl. It. 20)    |
| 17       | 48437022  | Brush Block Assem.                          |
| 18       | 21479438  | * Screw (2)                                 |
| 19       | 21447072  | * Screw - Self Tapping (2)                  |
| 20       | 38333009  | Spring                                      |
| 21       | 43523004  | Quick Disconnect Assembly                   |
| 22       | 160017-   | * Retaining Ring (2)                        |
| 23       | 36131085  | Trunnion Cover - RH                         |
| 24       | 32434007  | Rear Axle (2)                               |
| 25       | 38522076  | Rear Wheel (2)                              |
| 26       | 38458042  | Handle Release Lever                        |
| 27       | 38784063  | Standpipe Seal                              |
| 28       | 43576197  | Motor - 12 Amp - Hoover                     |
| 29       | 33241001  | Elbow Connector                             |
| 30       | 40309006  | Motor Cover                                 |
| 31       | 21447232  | * Screw - Self Tapping (4)                  |
| 32       | 36151029  | Tank Release Latch - LH                     |
| 33       | 36151019  | Tank Release Latch - RH                     |
| 34       | 42272134  | Solution Tank- (Inc. It. 35,36,37,39,41,42) |
| 35       | 38784062  | Gasket                                      |
| 36       | 42272002  | Solution Tank Cap                           |
| 37       | 39457016  | Solution Tank Handle                        |
| 38       | 48439002  | Turbine Nozzle - F5910-900 (See Note)       |
| 39       | 38312014  | Spring - Solution Tank                      |
| 40       | not applicable                                  | Washer -Brass                               |
| 41       | 38784061  | Valve Seal                                  |
| 42       | 38717009  | Valve Stem - Solution Tank                  |
| 43       | 36433127  | Tool Holder                                 |
| 44       | 38784060  | Solution Tank Seal                          |
| 45       | 43526016  | Reservoir Assem. (Incl. It. 44)             |
| 46, 47   | 40309002  | Tubing Assembly (Incl. Items 29,46,47)      |
| 48       | 40201154  | Handle Hardware                             |
| 49       | 34113004  | Motor Seal                                  |
| 50       | not applicable                                  | Screw - Self Tapping                        |
| 51       | 012227-   | Insulated Terminal                          |
| 52       | 46583056  | Cord - 30'                                  |
| 53       | 38781048  | Motor Base Seal                             |
| 54       | 36131086  | Trunnion Cover - LH                         |
| 55       | 38434025  | Switch Actuator Lever                       |
| 56       | 28218048  | Switch                                      |
| 57       | 36172016  | Cord Retainer                               |
| 58       | 42274006  | Main Body (Inc. Exhaust Duct Cover)         |
| 59       | 37276002  | Handle Cover                                |
| 60       | 39466082  | Lower Handle (Inc. items 45, 76, 77)        |
| 61       | 36433171  | Lower Tool Holder                           |
| 62       | 21447041  | * Screw                                     |
| 63       | 38613040  | Nozzle Body                                 |

| Ref. No. | Part No. | Description  |
|----------|----------|--|
| 64       | 36433172 | Hose Holder - Upper                                      |
| 65       | 43491039 | Hose Assembly -ABU- (Inc. items 61, 62, 63, )            |
|          | 43491052 | Hose Assembly-Clear-F5905-900, (Inc. items 61, 62, 63, ) |
| 66       | 38613040 | Nozzle Body  |
| 67       | 43513010 | Connector Coupler Sleeve Assembly                        |
| 68       | 48445003 | Brush Back Assembly                                      |
| 69       | 37276014 | Tool Cover - F5903-900, F5905-900, F5910-900, F5914-900  |
|          | 37276011 | Tool Cover - F5904-900, F5912-900                        |
| 70       | 39466039 | Upper Handle (Inc. items 71,72,73,74,75, 78, 79)         |
| 71       | 39442044 | Cord Wrap  |
| 72       | 38458056 | Upper Control Rod  |
| 73       | 38434029 | Control Lever  |
| 74       | 39458007 | Handle Lever Guard                                       |
| 75       | 21447255 | Screw  |
| 76       | 37276010 | Solution Tube Cover                                      |
| 77       | 38458033 | Control Rod - Lower                                      |
| 78       | 38458055 | Control Rod Upper - Rear                                 |
| 79       | 38433079 | Solution Button  |
| 80       | 51639165 | Nameplate - Clean surge                                  |
| 81       | 36132004 | Tubing retainer  |
| 82       | 38769028 | Exhaust Duct Cover                                       |
| 83       | 38719027 | Float Retainer   |
| 84       | 43538001 | Float  |
| 85       | 38784070 | Seal - Float Retainer                                    |
| 86       | 38433074 | Trigger  |
| 87       | 37276006 | Wand Cover   |
| 88       | 21447239 | * Screw  |
| 89       | 43513011 | Wand / Valve Assembly                                    |
| 90       | 38312019 | Spring   |
| 91       |          | O-Ring (included with item 92)                           |
| 92       | 43412007 | Nozzle Valve Assembly                                    |

### Items Not Illustrated

#### Labels

|          |  |
|----------|--|
| 51638055 | * Handle Release Label                 |
| 51865024 | * On / Off Label                       |
| 51639124 | * Door Label - Uph. & Stair Cing Conn. |
| 51855030 | Agitator Speed Label                   |

#### Lead Wires

|          |                    |
|----------|--------------------|
| 49811079 | Lead Wire - White  |
| 49811080 | Lead Wire - Purple |
| 49811081 | Lead Wire - Red    |

### Accessories

|          |                                   |
|----------|-----------------------------------|
| 57333016 | Carpet Cleaning Solution - 16 Oz. |
| 40301032 | Carpet Cleaning Solution - 32 Oz. |
| 40302016 | Pre-Cleaner - 16 Oz.              |
| 43412003 | Sprayer                           |

### Packaging Material

|          |  |
|----------|--|
| 56518158 | Owner Manual - F5903-900, F5905-900, F5910-900, F5914-900    |
| 56518159 | Owner Manual - F5904-900, F5912-900                          |
| 58176023 | Carton - Common - F5903-900, F5904-900, F5905-900, F5914-900 |
| 58176192 | Carton - F5910-900   |
| 58176189 | Carton - F5912-900   |

Note: The 48439002 is mounted in the upper handle on the F5903-900 & F5910-900 and is packed in the carton on the F5904-900 & F5912-900.