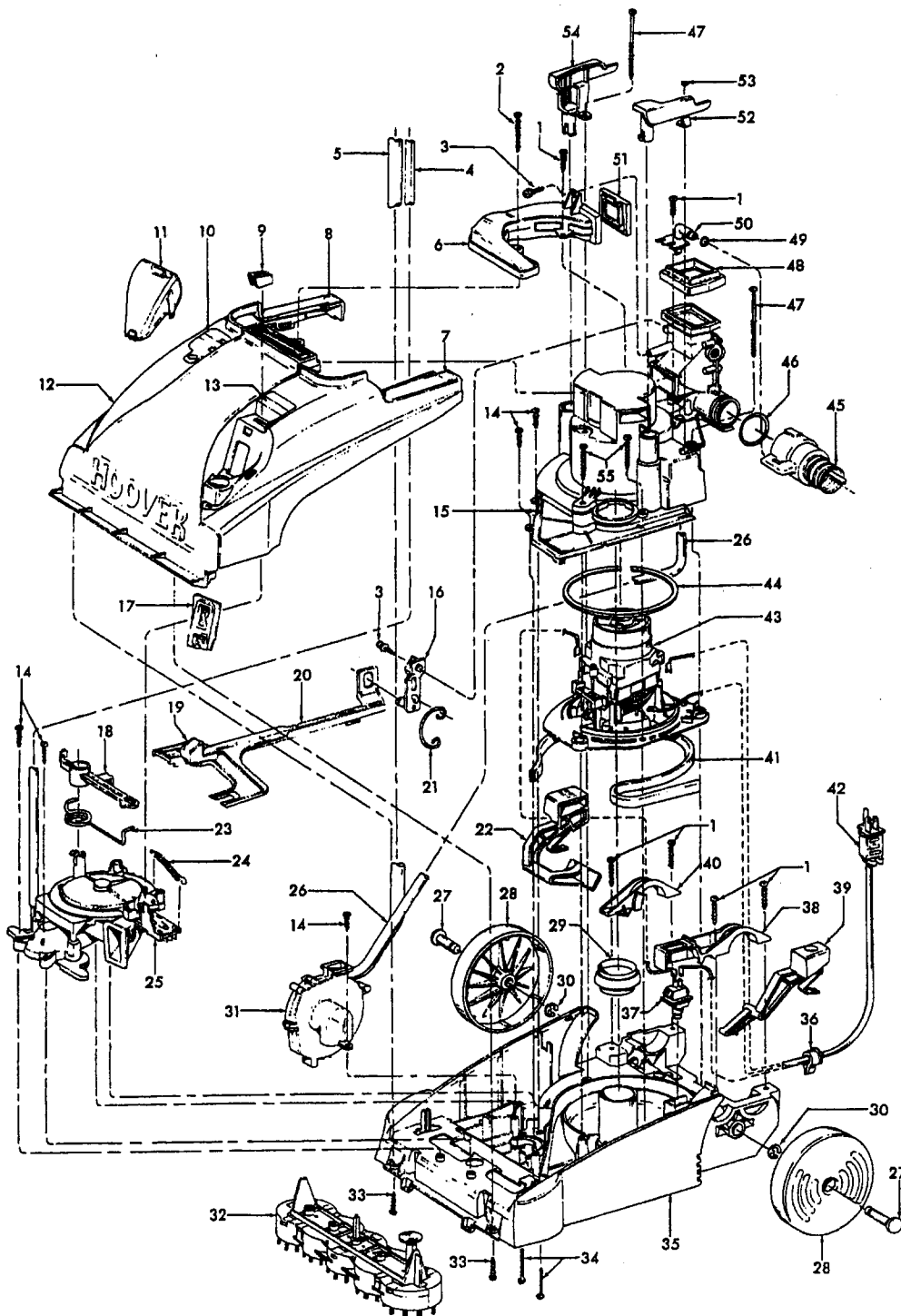


F5837-900, ***** F5837-960, F5839-900
F5864-900, F5865-900, F5867-900, F5868-900, F5869-900,
*** F5869-960, * F5869-990, F5870-900, F5871-900, F5872-900,
F5873-900, F5875-900, *****F5876-900, F5878-900, F5881-900, ****
F5881-990, F5883-900, *** F5883-960, * F5883-990, F5884-900, **
F5884-980, F5907-900



Steam Vac Models without five rotating brushes
Models with five rotating brushes

Ref. No.	Part No.	Description
1	21447003	* Screw
2	21447247	Screw
3	23149002	Screw
4	40309002	Tubing Assembly
5	40309002	Tubing Assembly
6	43466071	Duct
7	51865024	* On Off Label
8	51638055	* Handle Release Label
9	38421093	Indicator Knob
10	51438006	Nameplate - Tool Mode
11	39383106	Lens
12	Note: All Hoods Include Items 11 and 17)	
	37271045	Hood - F5837-900
	37271046	Hood - F5839-900
	37271055	Hood - F5865-900
	37271072	Hood - AFC -F5867-900
	37271051	Hood - F5868-900
	37271052	Hood - F5869-900
	37271078	Hood - F5871-900
	37271055	Hood - F5873-900
	37271064	Hood - F5870-900, F5875-900, F5876-900
	37271080	Hood - AES - F5881-900
	37271043	Hood - F5883-900
	37271048	Hood - F5884-900, F5885-980
	37271073	Hood - ADG - F5864-900
	37271076	Hood - F5872-900
	37271077	Hood - F5878-900
	37271107	Hood - F5907-900
13	51855031	Agitator Speed Label
14	21447217	* Screw
15	42191005	Motor Cover/ Valve Assembly F5837-900, F5839-900
	42191007	Motor Cover / Valve Assembly All models except F5837-900, F5839-900
16	36439001	Valve Crank Arm
17	43613009	Screen Assembly
18	N/A	
19	51611008	* Indicator Label - Green
20	38458050	Turbine Actuator Arm -F5837-900, F5839-900
	38458024	Turbine Actuator Arm All models except F5837-900, F5839-900
21	36132003	Over Center Spring
22	38458042	Handle Release Lever
23	38356013	Spring
24	38333009	Spring
25	43191003	Turbine Assembly - models with five rotating brushes (Incl. It. 18, 23, 24)
26	40309002	Tubing Assem.
27	32434007	Rear Axle (2)
28	38522076	Rear Wheel (2)
29	38784063	Standpipe Seal
30	160017	* Lock Ring
31	43582005	Pump Assembly
32	48437022	Brush Block
33	21447072	* Screw (2)
34	21479438	* Screw (2)
35	37272095	Main Body- F5837-900, F5839-900
35	37272088	Main Body - All models except F5837-900, F5839-900, F5872-900, F5878-900
	37271090	Main Body - F5872-900
	42274006	Main Body- F5907-900 (Inc. Exhaust Duct)
36	36172016	Cord Retainer
37	28218048	Switch
38	36131086	Trunnion Cover - L.H.

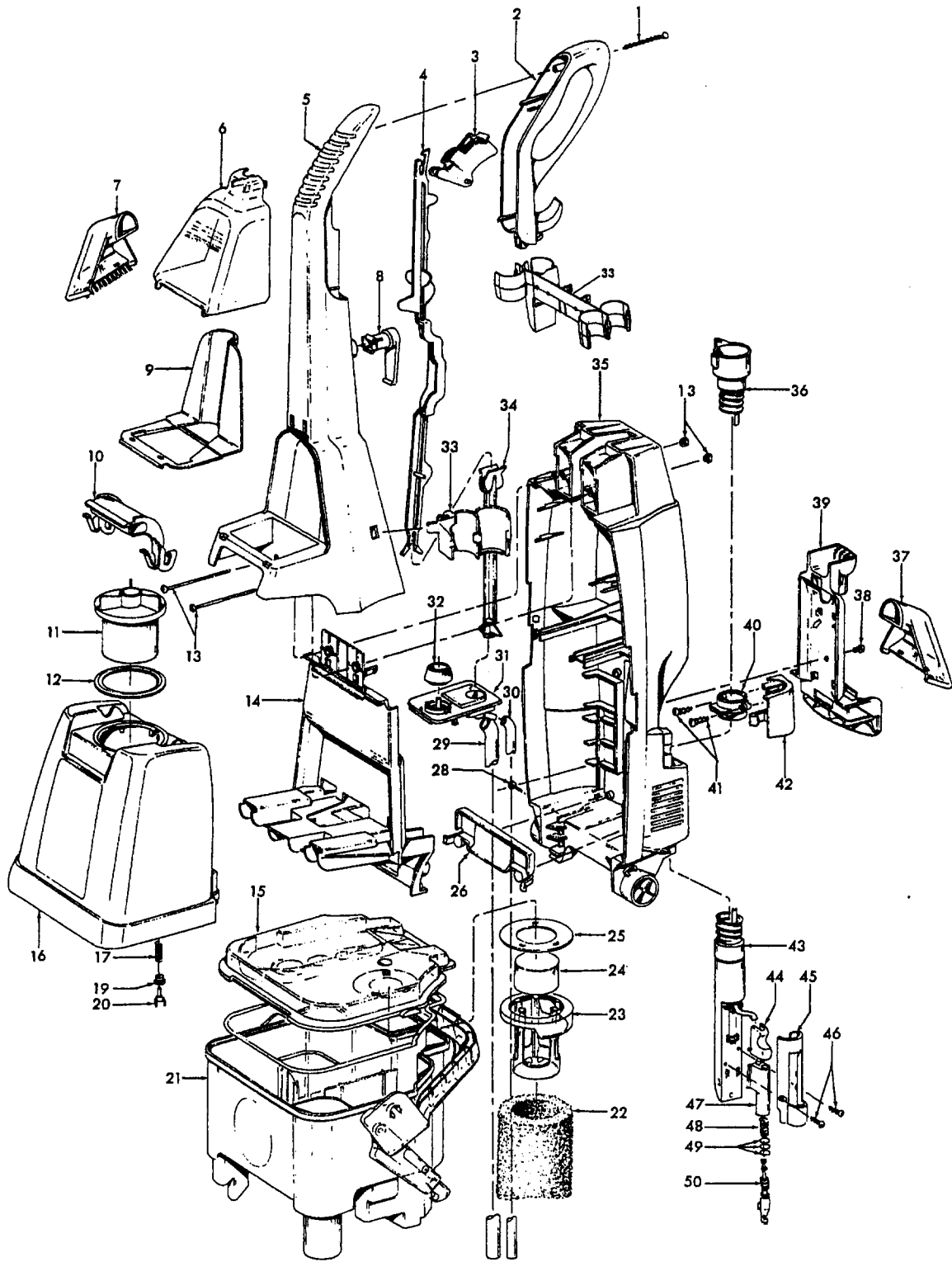
F5837-900, ***** F5837-960, F5839-900
F5864-900, F5865-900, F5867-900, F5868-900, F5869-900,
*** F5869-960, * F5869-990, F5870-900, F5871-900, F5872-900,
F5873-900, F5875-900, *****F5876-900, F5878-900, F5881-900, ****
F5881-990; F5883-900, *** F5883-960, * F5883-990, F5884-900, **
F5884-980, F5907-900

Ref. No.	Part No.	Description
	39	38434025
	40	36131085
	41	38781048
	42	46583044
		46583012
		46583056
43	40309009	Motor Kit - F5837-900, F5839-900 - Units with GS motor
	43576177	Motor- F5837-900, F5839-900 - Units with Hoover motor
	43576163	+ Motor-(GS)- F5865-900, F5867-900, F5868-900, F5869-900, F5881-900, F5883-900 (Use 43576202 Motor)
	43576202	Motor- 7.9 Amp Hoover - F5864-900, F5865-900, F5867-900, F5868-900, F5869-900, F5870-900, F5871-900, F5873-900, F5875-900, F5876-900, F5881-900, F5883-900, F5884-900
	43576197	Motor - 12 Amp Hoover - F5872-900, F5878-900, F5907-900
	41311016	Motor Brush (Hoover Motor ONLY)
44	34113004	Motor Seal
45	40309032	Hose Assembly (w/o release tab on nozzle)
	43436011	Hose Assembly (w/ release tab on nozzle)
46	25156518	"O" Ring
47	21447246	Screw
48	38783023	Valve Tank Seal
49	25156517	* "O" Ring
50	38719039	Solution Hose Coupler
51	38783024	Valve Duct Seal
52	36151021	Latch Lock - LH
53	21364107	Speed Nut (Early models)
54	36151020	Latch Lock - RH
55	21447232	* Screw (2)

ITEMS NOT ILLUSTRATED

48447002	Brush Back Assembly - Dual - F5837-900, F5839-900
49811039	Lead Wire Black - (Front of motor to switch) (Hoover Motor)
49811079	Lead Wire White - 12 Amp Motor
49811087	Lead Wire Lt. Blue - 12 Amp Motor
49811080	Lead Wire Purple - 12 Amp Motor
49811081	Lead Wire Red - 12 Amp Motor
38769028	Exhaust Duct - F5907-900 (main body)

* The F5869-990 & F5883-990 are identical to the models F5869-900 & F5883-900 respectively, except for the addition of one 64 oz. bottle of Carpet / Upholstery cleaner.
** The F5884-980 is identical to model F5884-900 except for the addition of model S1103 Dubl-Duty. (In May of 1999, the S1103 was replaced by an S1112 on F5884-980)
*** The F5869-960 & F5883-960 are identical to model F5869-900 and F5883-900 respectively, except for the addition of a bonus detergent kit.
**** Model F5881-990 is identical to model F5881-900 except for addition of Sprayer, and on bottle of Carpet Cleaner, Pre-Cleaner Solution, and Bare Floor Solution.
***** Model F5837-960 is identical to model F5837-900 except for the addition of the carpet care kit - 40304001.
*****Model F5876-900 is identical to model F5875-900 with the exception of the solution tank label.
***** Model F5885-980 is identical to model F5884-900 except for the addition of model S1117-900 and hood color.



Ref. No.	Part No.	Description	Ref. No.	Part No.	Description
1	21447248	Screw	33	36172005	Hose/ Nozzle Holder
2	39458006	Handle Lever Guard		36433129	Hose / Nozzle Holder w/ Holster - F5872-900, F5878-900, F5907-900
3	38434028	Trigger	34	38458033	Control Rod Lower
4	38458037	Upper Control Rod	35	39466037	Lower Handle
	Note: Upper Handles include items 1,2,3,4,8		36		See item 43
5	39466004	Upper Handle	37	38613028	Nozzle Body
	39466049	Upper Handle -F5872-900, F5878-900, F5907-900	38	21447041	* Screw
6	37276011	Tool Cover	39	36433131	Tool Rack - Lower
7	38613040	Nozzle Body - CP	40	36171032	Hose Clamp
8	39442041	Cord Wrap	41	21447228	* Screw (2)
9	36433127	Tool Holder - F5871-900, F5872-900, F5878-900, F5907-900	42	36131097	Hose Cover
10	39457016	Solution Tank Handle	43	43436011	Hose Assem. (Incl. It. 37 & 43 thru 50)
11	42272002	Solution Tank Cap (Incl. It. 12)		43436016	Hose Assem. (Incl. It. 37 & 43 thru 50) F5872-900, F5878-900, F5907-900
12	38784062	Gasket	44	38433074	Trigger
13	40201154	Handle Hardware Assembly	45	37276006	Wand Cover
	40201171	Handle Hardware Assembly - F5872-900, F5878-900, F5907-900	46	21447239	* Screw
14	37276002	Handle Cover	47	43513011	Wand/ Valve Assembly
15	42272120	Lid Assem.(Incl. It. 22,23,24,25)	48	38312019	Spring
16	Note: Solution Tank Assembly's Include Items 10, 11, 12, 17, 18, 19, 20		49		O ring (Included with item 50)
	42272134	Solution Tank Assembly	50	43412007	Nozzle Valve Assembly
17	38312014	Spring	Accessories		
19	38784061	Valve Seal		43412003	Sprayer - F5873-900
20	38717009	Valve Stem		48417003	Bare Floor Tool
21	Note: Recovery Tanks include item 15			57333016	Carpet Solution - 16 oz.
	38777065	Recovery Tank		40303032	Bare Floor Solution - 32 oz. - F5871-900, F5873-900
	38777070	Recovery Tank - Models with no tank filter. Screen in tank.		40302016	Pre-Cleaner - 16 oz. F5873-900
22	43611041	Tank Filter		39514001	Nozzle Cleanout Tool - F5875-900
23	38719027	Float Retainer		48439002	Turbine Nozzle - F5907-900
24	43538001	Float	Note: In May of 1999, the Bare Floor Solution was removed from the model F5871-900		
25	38784070	Seal	Note: In May of 1999, the Pre - Cleaner was removed from the model F5873-900		
26	37276010	Solution Tube Cover	Packaging Material		
28	21447244	Screw - Special		56518131	Owner Manual
29	40309002	Service Tubing		58176023	Carton - Common (plain brown)
30	40309002	Service Tubing			
31	43516008	Reservior Assem. (inc. item 32)			
32	38784060	Solution Tank Seal			

*Model F5876-900 is identical to model F5875-900 with the exception of the solution tank label.