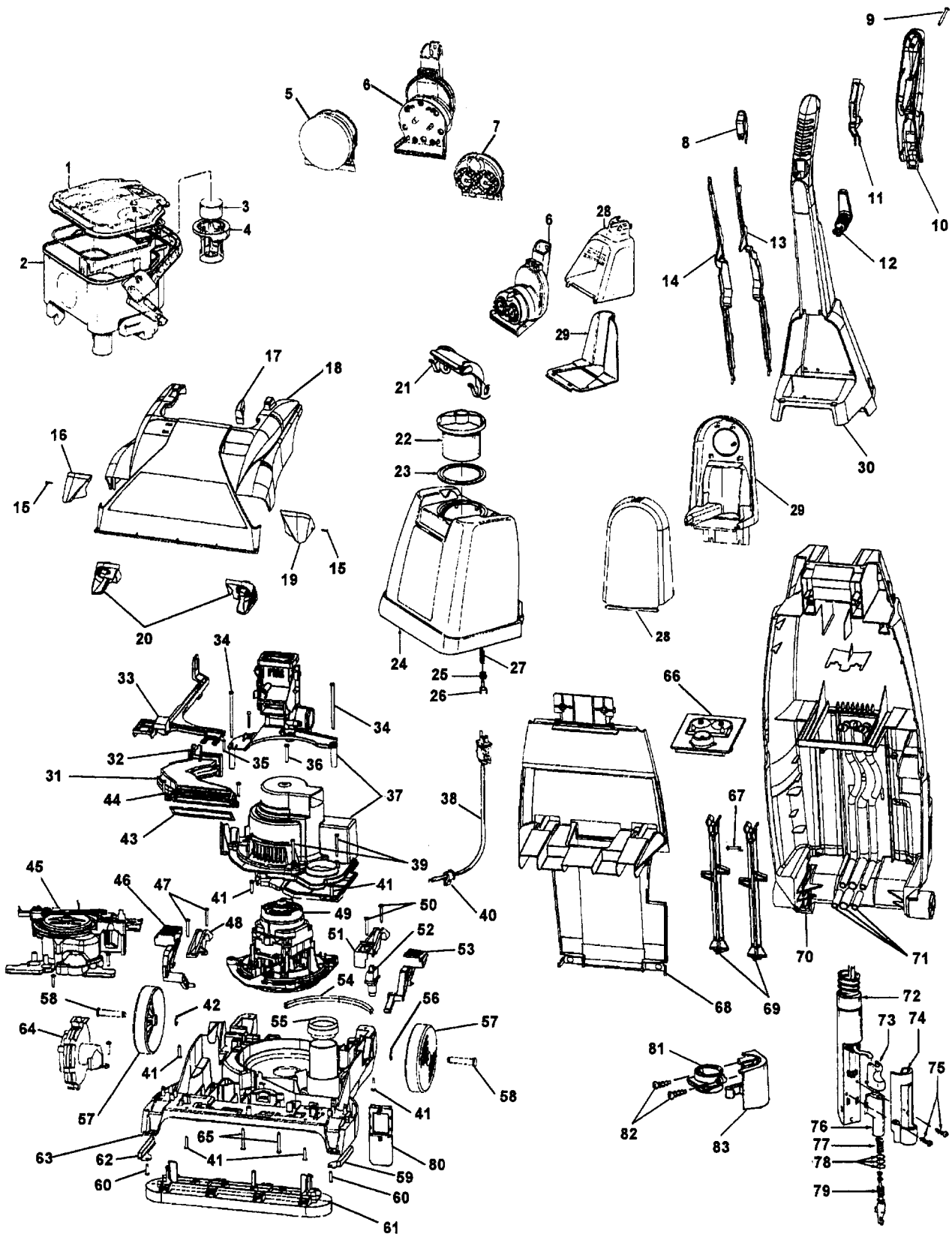


SteamVac - Wide Path

Models F6019-900, F6025-910, F6026-910, F6028-900, F6030-900, F6030-970, F6040-900, *F6040-960



SteamVac - Wide Path

Models F6019-900, F6025-910, F6026-910, F6028-900, F6030-900, F6030-970, F6040-900, *F6040-960

Ref. No.	Part No.	Description
1	42272123	Recovery Tank Lid (Does not inc. items 3,4)
2	38777068	Recovery Tank Assem (Inc. its 1,3,4)
3	43538001	Float
4	38719043	Float Retainer
5	48437028	Scrub Module Assm. -F6019-900, F6025-910, F6026-910,F6028-900,F6030-970, F6040-900
6	48439003	Powered Hand Tool (Incl. It. 7) - F6019-900, F6025-910, F6026-910, F6028-900, F6030-970, F6040-900
	48439002	Turbine Nozzle - F6030-900
	38613038	Nozzle Body - Used on 48439002
	48434004	Brush Assembly- Used on 48439002
7	48437027	Upholstery Module Assm. - F6025-910, F6026-910, F6028-900, F6040-900
8	38433077	Solution Button - AG
9	21447255	* Screw Self Tapping
10	39458007	Handle Lever Guard
11	38434029	Control Lever - AG
12	39442044	Cord Wrap - ABU
13	38458055	Control Rod Upper - Back
14	38458056	Control Rod Upper - Front
15	21479432	* Screw Self Tapping
16	39383104	Lens Cover - R.H.
17	38421092	Indicator Knob - AG
18	37271090	Hood - ABY - F6019-900
	37271086	Hood - ADX - F6025-910
	37271087	Hood - AFE - F6026-910
	37271084	Hood - ADS - F6028-900
	37271074	Hood - ADK - F6030-900, F6030-970
	37271085	Hood - ADX - F6040-900
19	39383103	Lens Cover - L.H.
20	47173034	Lamp / Light Housing Assem.
	27313106	Lamp - (2 req'd)
21	39457016	Solution Tank Handle
22	42272002	Solution Tank Cap (Inc. item 23)
23	38784062	Gasket
24	42272134	Solution Tank Assem.(Inc. its 21 thru 27)
25	38784061	Valve Seal
26	38717009	Valve Stem
27	38312014	Spring
28	37276012	Tool Door - Long - F6019-900, F6025-910, F6026-910, F6028-900, F6040-900
	37276014	Tool Door - F6030-900, F6030-970
29	36433141	Tool Holder - Long - F6019-900, F6025-910, F6026-910, F6028-900, F6040-900
	36433127	Tool Holder - F6030-900, F6030-970
30		Note: Upper Handle Assembly's include items 8 through 14
	39466039	Upper Handle Assembly
	39466051	Upper Handle Assembly - F6019-900
31	43484003	Duct Assembly (Includes Seal)
32	23149002	Screw Self Tapping
33	38458024	Turbine Actuator Arm
34	21447246	Screw Self Tapping
35	21447003	* Screw Self Tapping
36	21447020	* Screw Self Tapping
37	42192029	Valve / Motor Cover Assembly
38	46583056	Attachment Cord - 30' - Ametek Motor
	46583044	Attachment Cord - 30' - Hoover Motor
39	21447232	* Screw Self Tapping
40	36172016	Cord Retainer
41	21447217	* Screw Self Tapping
42	160017	* Retaining Ring
43	38783025	Duct Seal
44	21447072	* Screw Self Tapping
45	43191004	Turbine & Gear Assembly
46	38458059	Handle Release Pedal
47	21447020	* Screw Self Tapping
48	36131085	Trunnion Cover R.H.

Ref. No.	Part No.	Description
49	27212051	Motor Assembly - Ametek - 12 Amp
	43576197	Motor Assembly - Hoover - 12 Amp
50	21447020	* Screw Self Tapping
51	36131086	Trunnion Cover L.H.
52	28218048	Switch
53	38458060	Switch Actuator Pedal
54	38781048	Motor Base Seal
55	38784063	Standpipe Seal
56	160017	* Retaining Ring
57	38522076	Rear Wheel - ADB
58	32434007	Rear Axle
59	48445011	Brush Back Assem. - L.H.
60	21447257	* Screw Self Tapping
61	48437026	Brush Block Assembly
62	48445007	Brush Back Assem. R.H.
63	42274004	Main Body Assembly
64	43582005	Pump Assem. Complete
65	21479438	* Screw Self Tapping
66	43526016	Reservoir Assembly
67	21447244	Screw - Special
68	37276003	Handle Cover
69	38458033	Control Rod - Lower
70	39466044	Lower Handle
71	40309029	Service Tubing Pack
72	43436023	Hose Assem. Complete
73	38433074	Trigger - AG
74	37276006	Wand Cover
75	21447239	* Screw Self Tapping
76	43513011	Wand / Valve Assembly
77	38312019	Spring
78	N/A	O - Ring
79	43412007	Nozzle / Valve Assembly
80	43613018	Filter Cassette & Screen Assembly
81	36171032	Hose Clamp
82	21447228	* Screw - Self Tapping
83	36131097	Hose Cover

Items Not Illustrated

27479307	*	Wire Tie
34113004		Motor Seal
36433107		Tool Rack (Lower)
21447041	*	Screw - Tool Rack
36433129		Hose / Nozzle Holder (Upper)
38717013	+	Check Valve (Sol. Tank Cap)
40201171		Handle Hardware
36132003		Over Center Spring
36439001		Valve Crank Arm
38783023		Valve Tank Seal (Located on top of valve)
38783024		Valve Duct Seal (Located on back of item 31)
49811079		Lead Wire - White
49811081		Lead Wire - Red
49811080		Lead Wire - Purple
58176023		Carton - Common

FOR LABELS, TOOLS / CHEMICALS, AND PACKAGING SEE PAGE 88.

* The Model F6040-960 is a bonus pack which includes the model F6040-900 and an S1112 Dubl Duty. Also, 1 - 64 oz. Carpet / Upholstery Detergent, Crevice Tool, and Utility Nozzle were added and 1 - 16 oz. Carpet / Upholstery Detergent, and 16 oz. Bare Floor Solution were removed.

Steam Vac - WidePath Models F6018-900, F6019-900, F6020-900, F6020-910, F6020-920, F6020-990, F6021-900, F6022-900, F6024-900, F6024-960, F6025-900, F6025-910, F6026-900, F6026-910, F6027-980, F6028-900, F6030-900, F6030-970, F6035-900, F6040-900, F6040-960

Labels

51438009 Cleaning Mode Label
 51639165 Clean Surge Label
 51611008 Indicator Label
 51638055 Handle Release Label
 51855030 Agitator Speed Label
 51865024 On/Off Label

40302016 Pre Spray Cleaner w/ sprayer - 16oz. - F6018-900, F6019-900, F6020-910
 43412003 Sprayer Only - Pre Spray Cleaner
 40305032 Pet Stain & Odor Remover - 32 oz.
 43412009 Sprayer Only - 32 oz. bottle.

Tools / Chemicals

38617028 Crevice Tool - F6020-910, F6023-900, F6024-900, F6024-960, F6025-910, F6028-900, F6040-900, F6040-960
 39514001 Nozzle Clean Out Tool - F6018-900, F6020-900, F6020-910, F6020-990, F6023-900, F6028-900
 40304001 Bonus Detergent Kit - F6024-960
 40308001 Scrub Pad Poly Pack - F6018-900, F6020-910, F6024-900, F6024-960 (Inc. 2 scrub pads and 1 triangular Velcro pad)
 43414020 Utility Tool Assembly - F6024-900, F6025-910, F6026-900, F6027-980, F6040-960
 38613040 Nozzle Body - All models except F6026-900
 38613028 Nozzle Body - F6026-900
 48417004 Bare Floor Cleaning Tool - All Models

 57333016 Carpet Solution - 16 oz. - All Models except F6018-900
 40303032 Bare Floor Solution - 32 oz. - F6020-910, F6020-990, F6023-900, F6028-900, F6040-900
 40302032 Pre Spray Cleaner - 32 oz. - F6025-900, F6025-910, F6026-900
 40301064 Carpet Solution - 64 oz. F6020-910, F6020-920, F6040-960

Packaging

56518114 Owner Manual - F6018-900, F6020-900, F6020-910, F6020-920, F6023-900, F6035-900
 56518113 + Owner Manual - F6024-900, F6024-960 (Use 56518114)
 56518128 Owner Manual - F6025-900, F6026-900
 56518007 Owner Manual - F6019-900
 56518152 Owner Manual - F6021-900
 56518172 Owner Manual - F6022-900

 58176059 + Carton - F6020-900, F6020-910, F6020-990
 58176060 + Carton - F6024-900
 58176066 Carton - F6023-900
 58176079 Carton - F6024-960
 58176093 Carton - F6025-900
 58176098 Carton - F6027-980
 58176023 Carton - Common

Note: For cleaner listing see page 78, 93, 111.