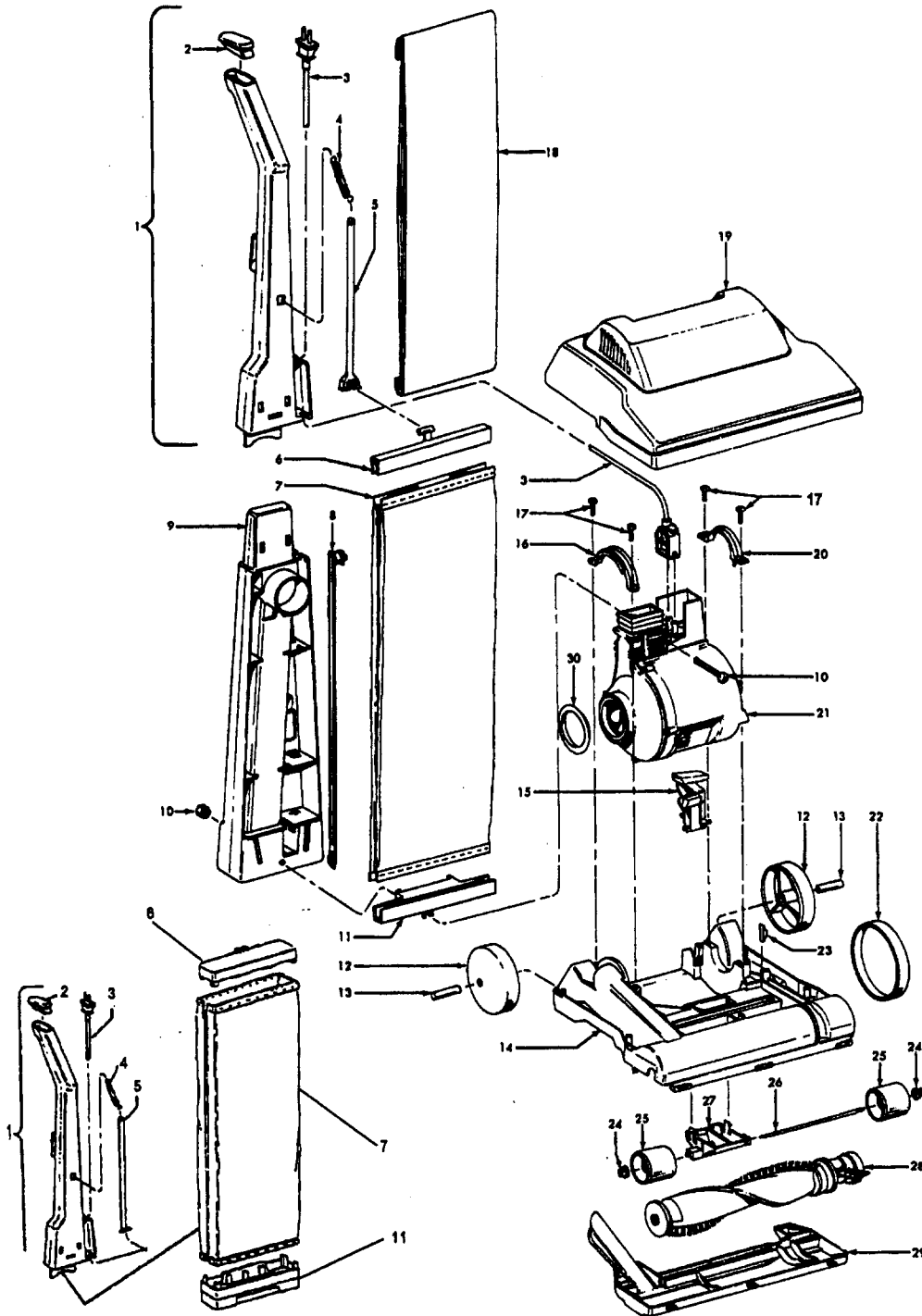


Elite

Sprint

Models U4245, U4245-030, U4245-930,
U4283-970, U4455, U4467, U4467-960,
U4467-970, U4467-980
Model U4247-030, U4249-030, U4250



Used on model U4250

Elite

Sprint

| Ref. No. | Part No. | Description |
|----------|--|---|
| 1 | 48663142 48663141 | Upper Handle Assem. -MW Upper Handle Assem.-ABE-U4250 |
| 2 | 37911079 | Handle Cap - ABE |
| 3 | 46388027 46388043 | Attachment Cord - AG - 35 Ft. Attach. Cord - AG - 30 Ft. 12 Amp |
| 4 | 38335020 | Bag Strap Spring - AY |
| 5 | 36425071 36425072 | Bag Strap - ABE Bag Strap - ABE - U4250 |
| 6 | 36425067 36425064 | Jacket Support - Upper - MW Jacket Support -Upper-ABE-U4250 |
| 7 | 43674191 43675183 43675186 43686240 | Jacket Assem. - Common Jacket Assem. - ABN U4247-030 Jacket Assem. - AAY - U4249-030 Outer Jacket - AAY - U4250 |
| 8 | 38456036 | Switch Control Rod - ABB |
| 9 | 39464005 | Lower Handle - ABE U4247-030 |
| 10 | 40201085 | Nut & Bolt Assem. |
| 11 | 36425068 36425063 | Jacket Support - Lower - MW Jacket Support-Lower-ABE-U4250 |
| 12 | 38522011 | Wheel Rear - AG (2) |
| 13 | 31523012 | Wheel Shaft (2) |
| 14 | 42242270 | Main Body Assem. - AG (Includes Items 12,13, 23) |
| 15 | 38458022 | Handle Release Lever - AG |
| 16 | 36131057 | Motor Retainer Cap - RH - MW |
| 17 | 21447217 | * Screw-Self Tapping (4) |
| 18 | 4010001A | Throw-Away Bag - (3 Pk.) |
| 19 | 37252065 37252067 37252087 37252081 37252110 37252111 37252112 | + Hood Assem. - MT Hood - JM - U4467 + Hood - MN - U4467-960 Hood - MR - U4467-980 Hood - AAP - U4283-970 Hood - ABN - U4245 Hood - ABN - U4245-030, U4245-930 |
| | 37252114 | Hood - AAY - U4249-030 |
| | 37252113 | Hood Assem. - ACC U4247-030 |
| | 37252115 | Hood - AAY - U4250 |
| 20 | 36131090 | Motor Retainer Cap - LH - AG |
| 21 | 43576141 43576205 | Motor Assem. - (P - 201) Motor Assembly - (P364) |
| 22 | 38528027 38528040 | Belt Belt - 12 Amp - U4250 |
| 23 | 13261AY | * Rug Nozzle Rib Shoe |
| 24 | 36131056 | * Wheel Retainer - BZ (2) |
| 25 | 36432029 | + Wheel - AG (Use 43248055) |
| 26 | 32563012 | + Wheel Shaft - AY (Use 43248055) |
| 27 | N/A 43248055 | Wheel Support - ABE Front Wheel Assem. (Incl. It. 25, 26) |

Models U4245, U4245-030, U4245-930, U4283-970, U4455, U4467, U4467-960, U4467-970, U4467-980

Model U4247-030, U4249-030, U4250

| Ref. No. | Part No. | Description |
|----------|----------------------|--|
| 28 | 48414079 | Agitator Assem. Comp. -AG (P-203) |
| 29 | 37245108 37245017 | Bottom Plate - AG Bottom Plate - AG - U4250 |
| 30 | 38784016 | Seal |

PACKAGING MATERIAL

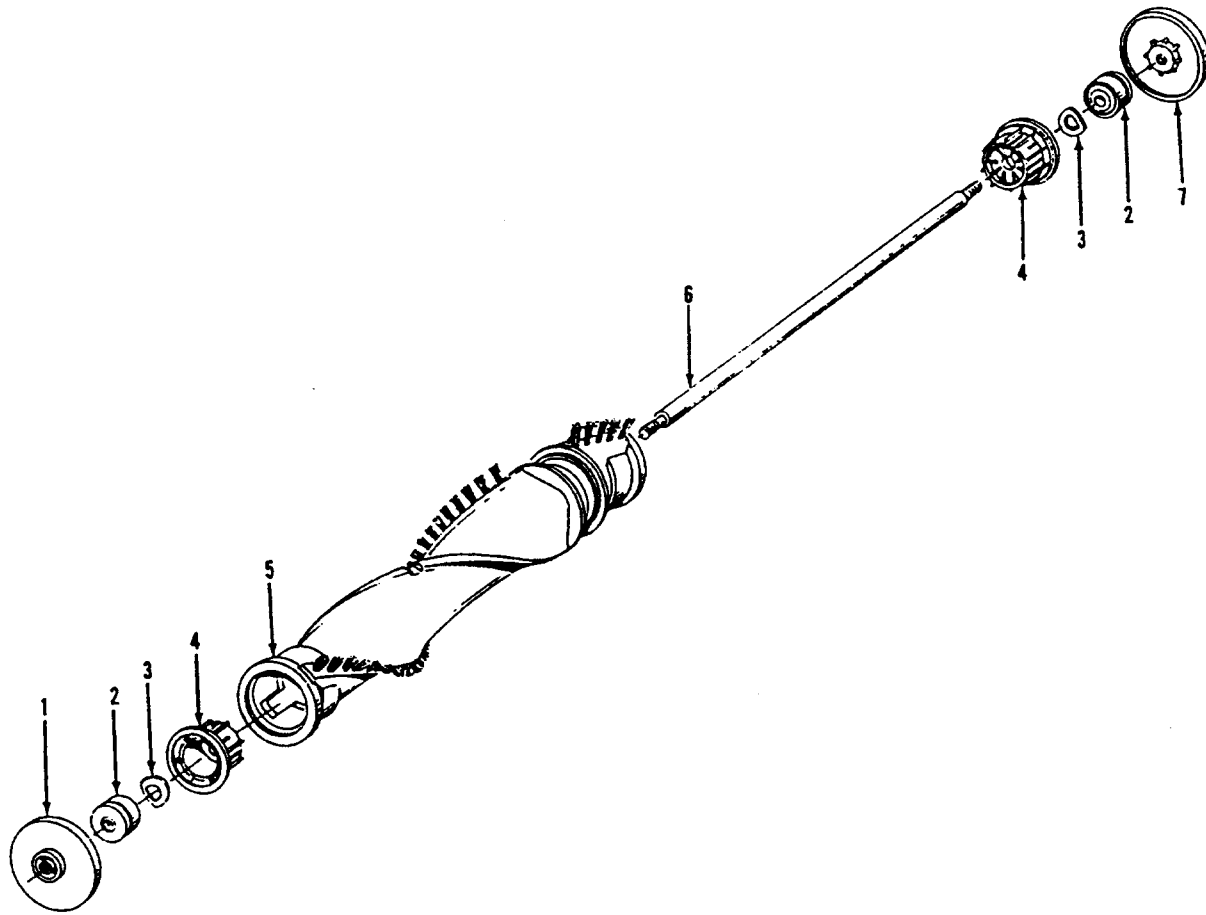
| | |
|----------|--|
| 56511A18 | Owner Manual - U4247-030 |
| 56511387 | Owner Manual - U4245-030, U4245-930 |
| 56511390 | + Owner Manual - U4245 |
| 56511343 | + Owner Manual |
| 56511280 | + Owner Manual |
| 58185184 | Carton - Common |
| 58346004 | + Front Support |
| 58353009 | + Rear Support |
| 58369061 | + Rear Support - U4467-980 |
| 58347007 | + Cleaning Tool Carton - U4245-930, U4467-970 |
| 56511B24 | Owner Manual - U4250 |

ITEMS NOT ILLUSTRATED - U4245-930, U4467-970

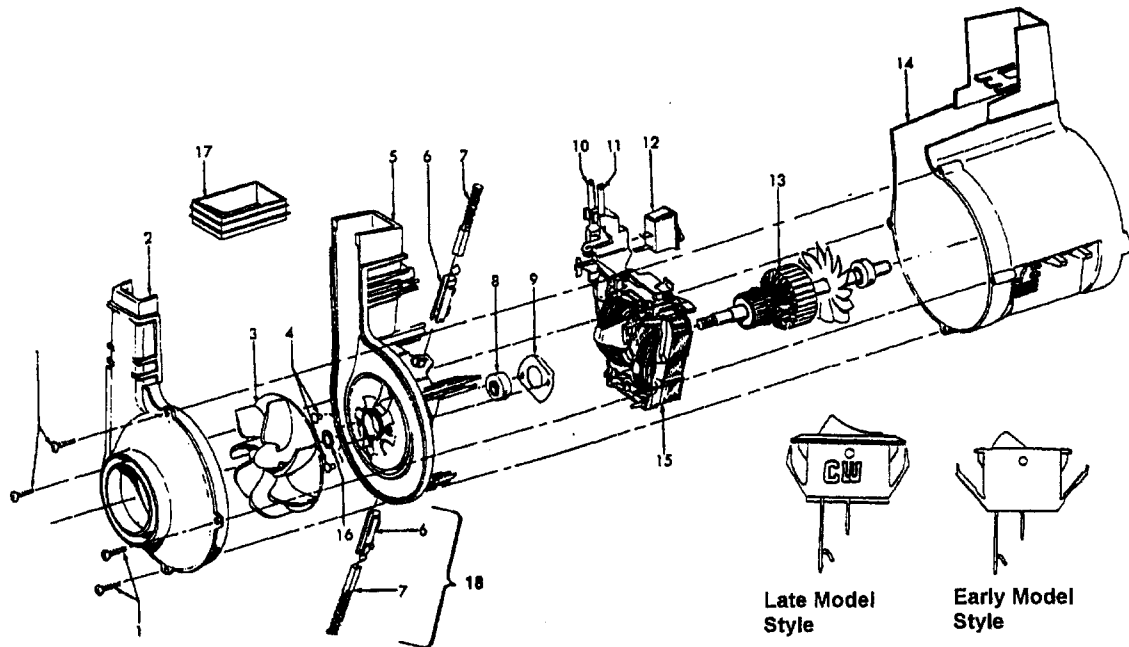
| | |
|----------|--|
| 3944201P | Cord Wrap |
| 38634078 | Extension Tube - AG |
| 38617024 | Crevice Tool - AG |
| 38614029 | Furniture Nozzle - AG |
| 38656016 | Converter Body - AAP |
| 43414145 | Dusting Brush - AG |
| 43434225 | + Hose Comp. |
| 34123056 | Gasket - 12 Amp Models (located between main body and motor, LH side) |

For illustration see Cleaning Tools - Friction Fit - (P - 205)

**Model U4467-980 is packed with a Model S1071-810
Help-Mate Cleaner. (Ref. pages 42/43)**



| Ref. No. | Part No. | Description |
|----------|----------|-----------------------------|
| | 48414079 | Agitator Assem. Comp. - AG |
| 1 | 36423016 | Thread Guard - RH |
| 2 | 43267002 | Agitator Bearing Assem. (2) |
| 3 | 21347003 | Conical Washer (2) |
| 4 | 36422022 | Agitator End (2) |
| 5 | N/A | Agitator Body |
| 6 | 32724013 | + Agitator Shaft |
| 7 | 36423017 | Thread Guard - LH - AG |

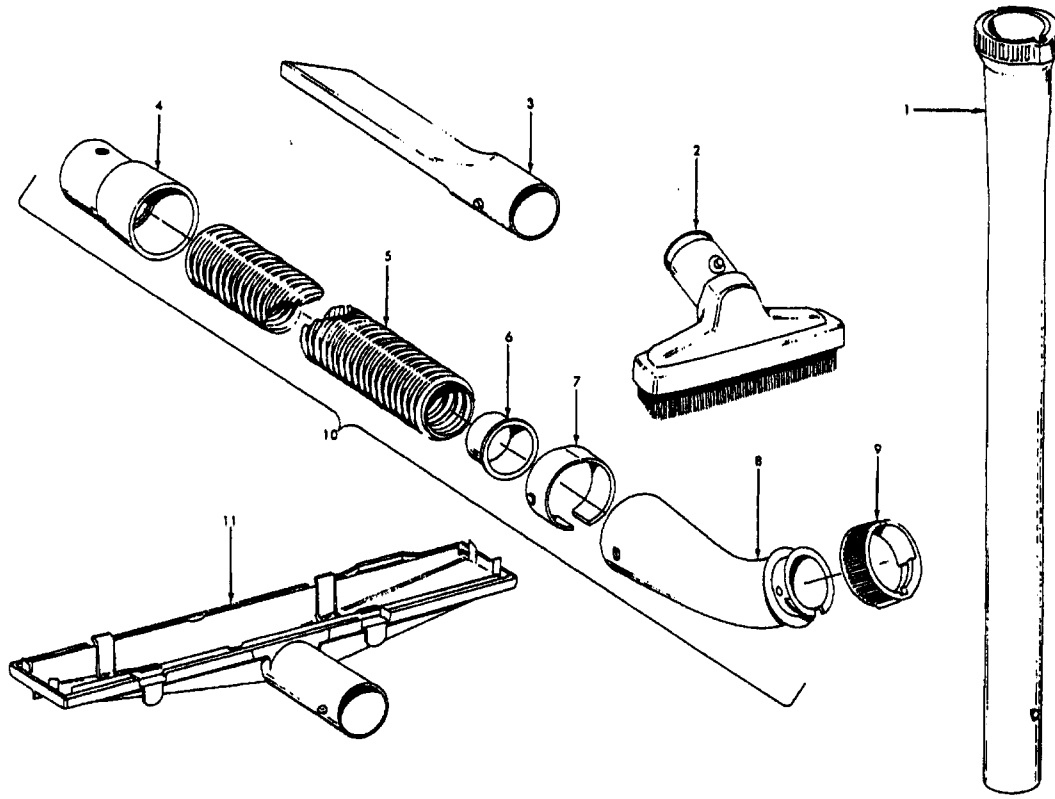


| Ref. No. | Part No. | Description |
|----------|----------|--|
| | 43576141 | Motor Assem. Comp. |
| 1 | N/A | Screw-Self Tapping (4) |
| 2 | 38736033 | Fan Chamber |
| 3 | 38755030 | Fan |
| 4 | N/A | Rivet-Semi Tubular (2) |
| 5 | N/A | Motor Housing Assem. |
| 6 | N/A | Motor Brush Holder (2) |
| 7 | N/A | Motor Brush Assem. (2) |
| 8 | N/A | Bearing |
| 9 | N/A | Bearing Retainer |
| 10 | 36914004 | Switch Bus Bar |
| 11 | 39116005 | + Attachment Terminal |
| 12 | 28218043 | Switch Assem. - Early Models (Prior to 5/96) |
| | 28161062 | Switch Assem. - Late Models (After 5/96) |
| 13 | N/A | Armature/Bearing Assem. |
| 14 | 37194046 | Motor End Cap Assem. |
| 15 | N/A | Field Assem. |
| 16 | 21312793 | * Washer |
| 17 | 38783020 | Duct Seal |
| 18 | 41311016 | Motor Brush Holder Assem. - |

ITEMS NOT ILLUSTRATED

| | |
|----------|--|
| 38781013 | + Duct Seal (8 1/2" Long adhesive backed foam seal used on early models in place of item 17) |
| 54821001 | Tape (Roll) |

Cleaning Tools - Elite Cleaners



Standard Fit Tools (w/Retention Pin) (Shown)

Friction Fit Tools (w/o Retention Pin)

| Ref. No. | Part No. | Description | |
|----------|----------|---|----------------------|
| 1 | 3863801P | Extension Tube - Poly - AG | 38634078 |
| 2 | 43414016 | Furniture Brush - AG | Not Available |
| 3 | 38617017 | Crevice Tool - AG | 38617024 |
| 4 | 32288004 | Hose Connector - AAP | 32288004 |
| 5 | 38671028 | + Hose - Less Ends - AAP | 38671030 |
| 6 | 32156010 | Hose Sleeve | Not Available |
| 7 | 36171025 | Hose Connector Collar | Not Available |
| 8 | 43466058 | Hose Connector - Curved - AAP (Incl. Item 9) | 39454059 (Hand Grip) |
| 9 | 36153009 | Latch Ring | Not Available |
| 10 | 43434210 | Hose Comp. | Not Available |
| 11 | 38656016 | Converter Body - AAP | 38656016 |
| | 43414057 | Furniture Nozzle - AG | 38614029 |
| | 43414064 | Dusting Brush - AG | 43414145 |
| | 43414073 | Wall/Floor Brush - AG | 43414135 |