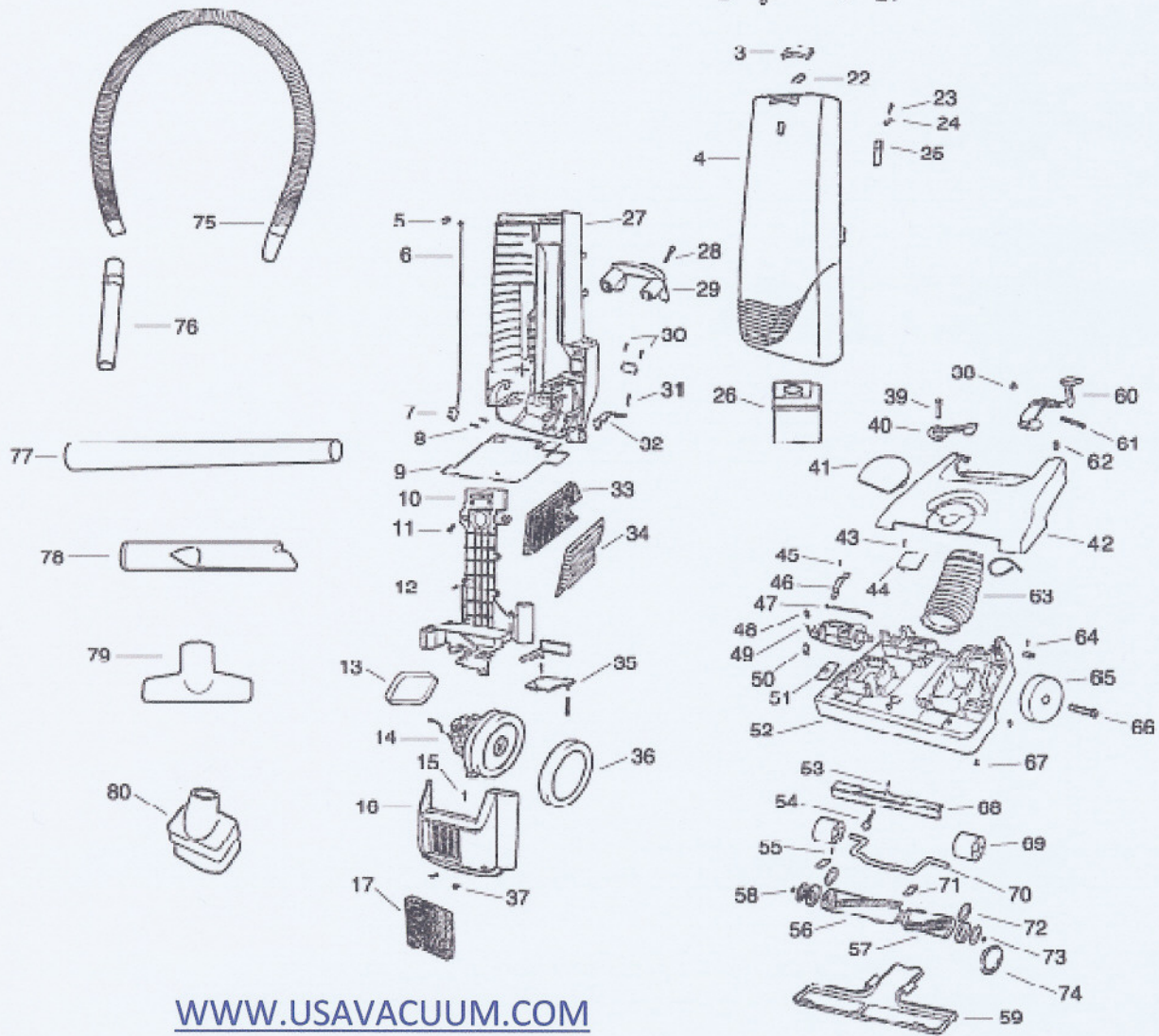


Sanitaire Commercial C6446A/AT/6484



| Item | SKU | Description | Item | SKU | Description |
|------|-------------|----------------------------------------------|------|-------------|----------------------------------------------------------|
| 1 | 008-021192 | Upper Handle Assembly | 41 | 008-274834 | Adjustment Cover & Graphics |
| 2 | 008-5323837 | Screws | 42 | 008-547059 | Hood 6404 |
| 3 | 008-27514 | Latch | 42 | 008-5470511 | Hood Assembly Package |
| 4 | 008-148825 | Bag Cover & Graphics | 43 | 008-532384 | Screw |
| 5 | 072-71 | Wire Nuts with Metal Insert 100 per Box Gray | 44 | 008-583231 | Pulley Cover |
| 6 | 008-275221 | Upper Cord Assembly with Rocker Switch | 45 | 008-5323811 | Screw |
| 7 | 008-27410 | Micro Snap Switch | 46 | | 57879 Motor Strap |
| 8 | | 53238-34 Screw | 47 | 008-275201 | Lower Cord Assembly |
| 9 | 008-38410 | Motor Shield | 48 | 072-71 | Wire Nuts with Metal Inserts 100 per Box Gray |
| 10 | 008-020161 | Dirt Chute Cover | 49 | 008-543435 | Motor Assembly (For Brush Roll) |
| 11 | 008-5323828 | Screw | 50 | 008-53141 | Wire Tie |
| 12 | 008-532384 | Screw | 51 | | 27667A Motor Shield |
| 13 | 008-55463 | Motor Stack Gasket | 52 | 008-547065 | Base & Cam Assembly |
| 14 | 008-60046 | Motor Assembly | 53 | 008-532384 | Screw |
| 15 | 008-5323828 | Screw | 54 | 008-530761 | Axle Spring |
| 16 | 008-60177 | Motor Cover | 55 | 008-5323811 | Screw |
| 17 | 008-27536 | Final Filter | 56 | 008-604671 | Disturbulator Assembly |
| 17 | 008-60140 | HEPA Filter 6405 6484 (2 pack) | 57 | 008-547921 | Bristle Strip |
| 18 | 008-352938 | Handle Grip | 58 | 008-27335 | Disturbulator Cap |
| 19 | 008-275151 | Hose Cord Clip | 59 | 008-020171 | Bottom Plate |
| 20 | 008-275211 | Cord | 60 | 008-27405 | Foot Pedal |
| 21 | 008-383482 | Rocker Switch | 61 | 008-58298 | Foot Petal Pin |
| 21 | 008-27410 | Switch | 62 | 008-54708 | Spring |
| 22 | 008-54711 | Spring | 63 | 008-148811 | Bellows |
| 23 | 008-532381 | Screw | 64 | 008-5323811 | Screw |
| 24 | | 56750 Bag Indicator Clip | 65 | 008-262702 | Rear Wheel |
| 25 | | 37761-2 Bag Indicator Assembly | 66 | 008-38392 | Axle |
| 26 | 008-58183 | Style Y Paper Bag (3 pack) | 67 | 008-5323811 | Screw (For Hood to Base) |
| 26 | 008-54686 | Y Cloth Bag | 68 | 008-273742 | Lens |
| 27 | 008-274131 | Rear Housing | 69 | 008-358591 | Front Wheel |
| 28 | 008-5323828 | Screw | 70 | 008-38457 | Front Axle |
| 29 | 008-149091 | Carrying Handle | 71 | 008-53201 | Axle Clamp |
| 30 | | 53238-22 Screw | 72 | 008-49899 | Felt Washer |
| 31 | 008-546691 | Screw | 73 | 008-53158 | Lock Nut |
| 32 | 008-382431 | Rear Housing Assembly Clamp | 74 | 008-30563 | Belt |
| 33 | 008-27384 | Filter | 74 | 008-52100 | Belt (2 pack) |
| 34 | 008-27385 | Filter Frame | 75 | 008-60168 | Hose Assembly |
| 35 | 008-27345 | Diverter Arm | 76 | 008-149902 | Wand with Bleeder |
| 36 | 008-27463 | Motor Fan Gasket | 77 | 008-140703 | Straight Wand |
| 37 | | 53238-35 Screw | 78 | 008-543553 | Crevice Tool |
| 38 | 008-54707 | Push on Nut | 79 | 008-545061 | Upholstery Nozzle |
| 39 | | 58244 Height Adjustment Screw | 80 | 008-54787 | Dusting Brush |
| 40 | 008-273721 | Adjustment Lever | | | www.usavacuum.com |