

Power Drive - Bag Housing

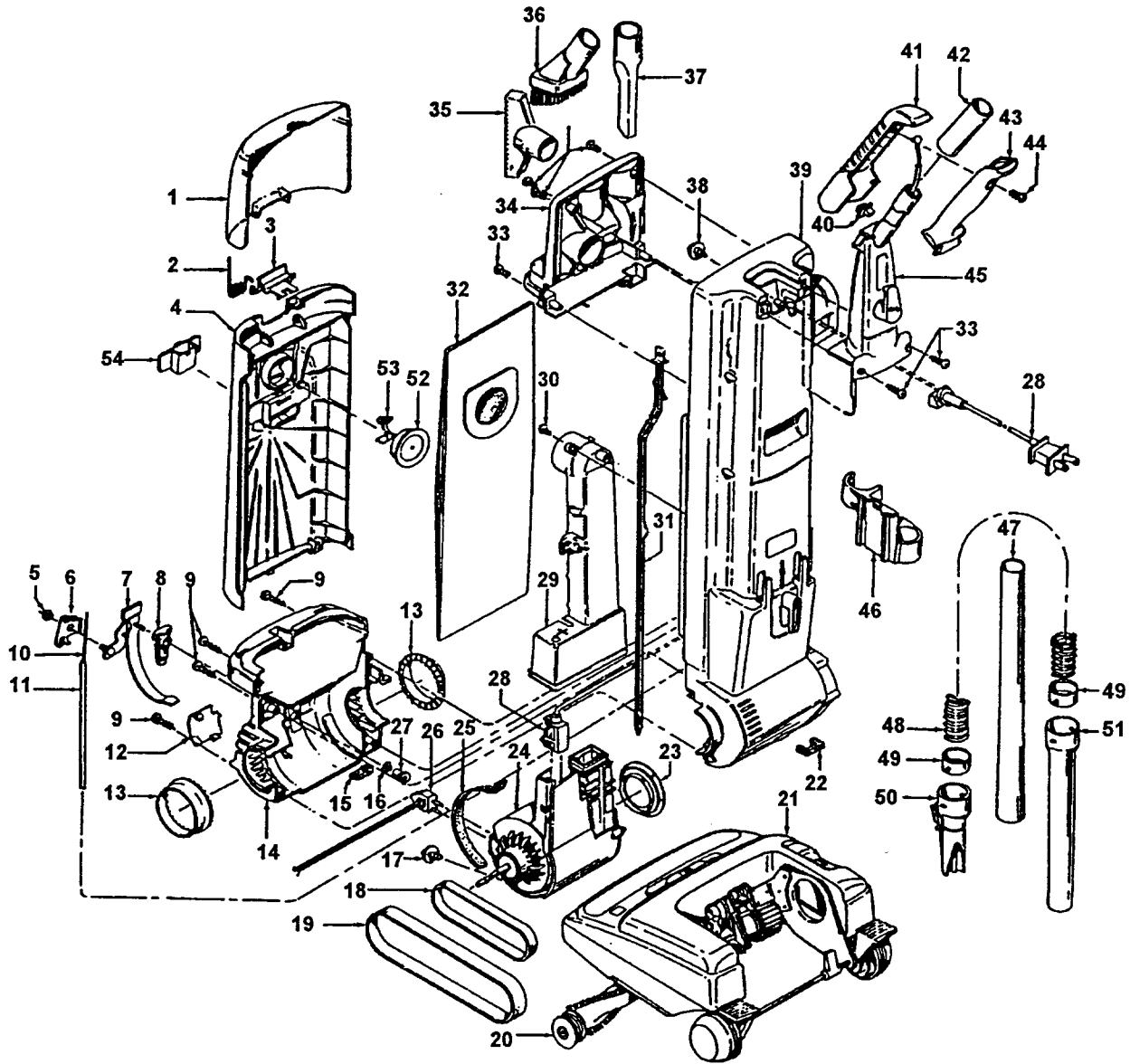
Models U6311-930, U6317-930, U6318-930
U6323-930, U6329-930

Auto Drive - Bag Housing

Model U6319-930

TurboPOWER 6000 - Bag Housing

Model U6321-930



Power Drive - Bag Housing

Auto Drive - Bag Housing

TurboPOWER 6000 - Bag Housing

Models U6311-930, U6317-930, U6318-930

U6323-930, U6329-930

Model U6319-930

Model U6321-930

Ref. No.	Part No.	Description
1	37257171	Tool Door - AAN
2	38355008	Torsion Spring - FW
3	36151013	Latch - Bag Door - ABE
4	37257198	Bag Housing Door- ABR (U6311-930) (Incl. It. 2,3)
	37257197	Bag Housing Door - AAY (U6317-930) (incl. It. 2,3)
	37257195	Bag Housing Door- ABB (U6323-930) (incl. 2, 3, 54)
	37257196	Bag Housing Door - MB (U6329-930) (Incl. It. 2, 3, 54)
	37257201	Bag Housing Door - MB (U6319-930) (incl. It. 2, 3, 4, 54)
	37257053	Bag Housing Door - AG (U6321-930) (Incl. It. 2, 3, 54)
	37257223	Bag Housing Door - AG (U6318-930) (Incl. It. 2, 3, 54)
5	21641558	* Hex Nut - AAX
6	36131088	Cable Retainer Bracket - AY
7	43143045	Actuator Bar Assem. - AG
8	38511027	Pivot Bearing - AG
9	21447230	* Screw - Self Tapping - FW (4)
10	43211009	Control Cable
11	66661203	Control Cable Tube - AG
12	37196006	Actuator Access Cover - ABE
13	38511002	Bearing - B2 (2)
14	37195103	Motor Cover - ABE (incl. It. 7, 8, 15, 16, 27)
15	38781042	Motor Cover Seal
16	19555-	* Spring Washer
17	23187200	Tapping Screw and Washer Assem.
18	160147AG	Power Drive Belt
19	38528008	Agitator belt
20	48414013	Agitator Assembly Complete (P.- 282)
21		Agitator Housing - (See Detail)
22	38781041	Bag Housing Seal
23	38784012	+ Fan Chamber Seal - AG
24	43576102	Motor Assembly Complete (P.- 297)
25	34123043	Motor End Cap Seal
26	46328002	Dirt Finder Lead Assem.
27	33423007	Nut - Special
28	46388027	Attachment Cord
29	38656029	Dirt Duct
30	21447003	* Screw - Self Tapping - AY
31	38458039	Switch Rod
32	4010075Z	Throw - Away Bag (3 - Pak)
33	21447072	* Screw - Self Tapping (6)
34	36433106	Tool Holder - ABE
35	38614036	Furniture Nozzle - ABR
	38614029	Furniture Nozzle - AG
36	43414146	Dusting Brush - ABR
	43414145	Dusting Brush - AG
37	38617026	Crevice Tool - ABR
	38617024	Crevice Tool - AG

Ref. No.	Part No.	Description
38	23149001	Tapping Screw and Washer Assem.
39	37255014	+ Bag Housing - ABE (incl. It. 46)
40	36142002	Drive Control Pin - ABN
41	39458045	Handle Grip - Upper - ABE (Incl. t. 40)
42	31754002	Handle Sleeve
43	39458010	Handle Grip - Lower Half - ABE
44	21447041	* Screw - Self Tapping
45	39466008	Upper Handle - ABE
46	36433103	Lower Hose Support - ABE
47	38634078	Extension Tube - AG
48	43434096	Cleaning Tool Hose - ABX (Incl. It. 49, 50, 51)
49	36116013	Hose Connector Collar - AG (2)
50	38638058	Hose Connector - AG
51	32286025	Hose Adapter - Long - AG
52	38733002	Bag Check Diaphragm (U6323-930) (U6329-930)
53	51151004	Indicator Flag - BZ (U6323-930) (U6329-930)
54	35111004	Scent Tablet Drawer - AG U6319-930 U6321-930, U6323-930, U6329-930)
	37257142	+ Scent Dispenser Cover - (U6311-930) (U6318-930)

ITEMS NOT ILLUSTRATED

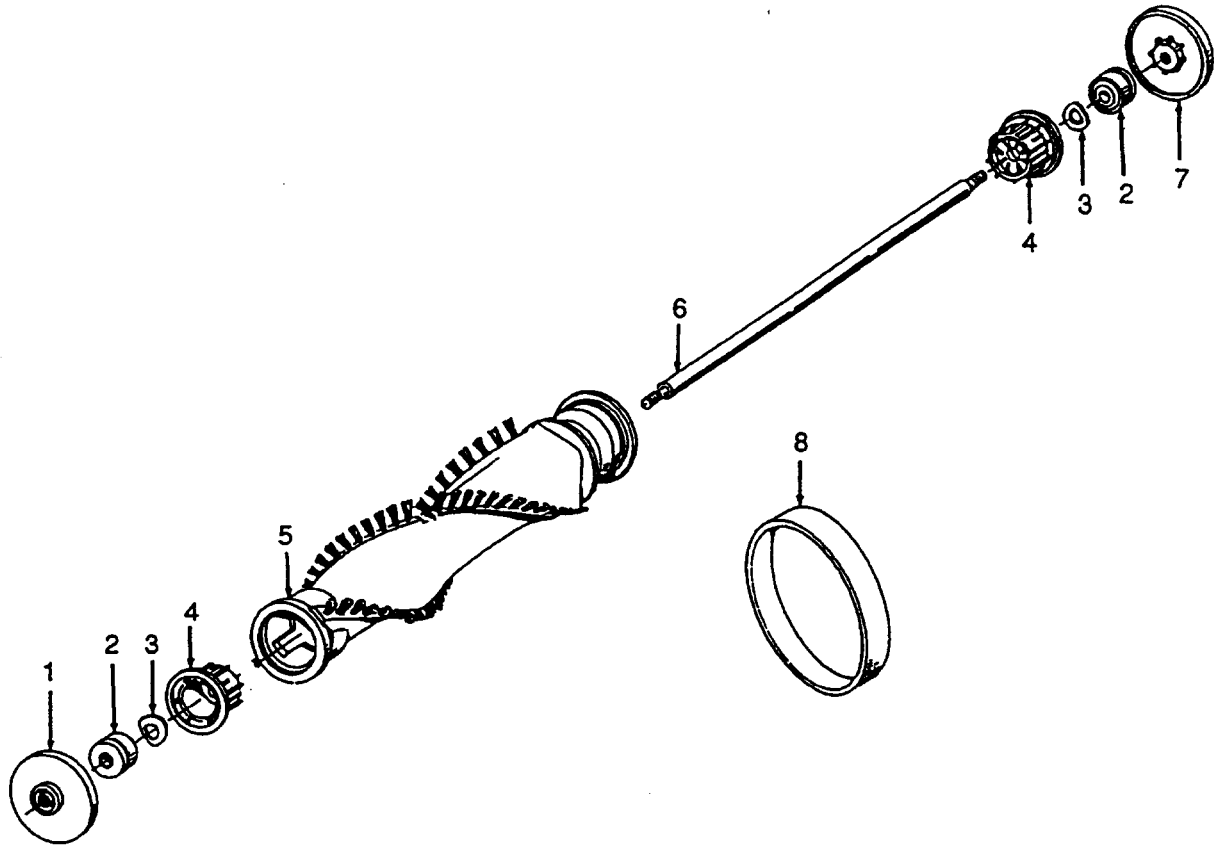
57363002 + Air Freshener Tablet

PACKAGING MATERIAL

56511A06 + Owners Manual
 58164015 Carton - Common
 58314007 + Cleaner Support
 58385027 + Cleaner Support U6319-930, U6321-930
 58333014 + Rear Support
 58334016 + Front Support
 58366102 + Front Support U6319-930, U6321-930
 58362005 + Handle Support
 58433006 Tube
 58461026 + Hood Support - Foam

Agitator

Models U3715-930, U3725-930, U3729-930, U3737-930
 U3745-930, U6311-930, U6317-930, U6318-930 U6319-930,
 U6321-930, U6335-930, U6323-930, U6329-930



Ref. No.	Part No.	Description
	48414013	Agitator Assem. Comp. - AG
1	41435018	Thread Guard
2	43267002	Agitator Bearing Assem. (2)
3	21347003	* Conical Washer (2)
4	36422022	Agitator End (2)
5	48414004	Agitator Body
6	160070	Agitator Shaft
7	41435021	Thread Guard - Knurled
8	38528008	Agitator Belt

Power Drive - Agitator Housing

Dirt Finder w/Power Drive - Agitator Housing

Auto Drive - Agitator Housing

TurboPOWER 6000 - Agitator Housing

TurboPOWER 7000 - Agitator Housing

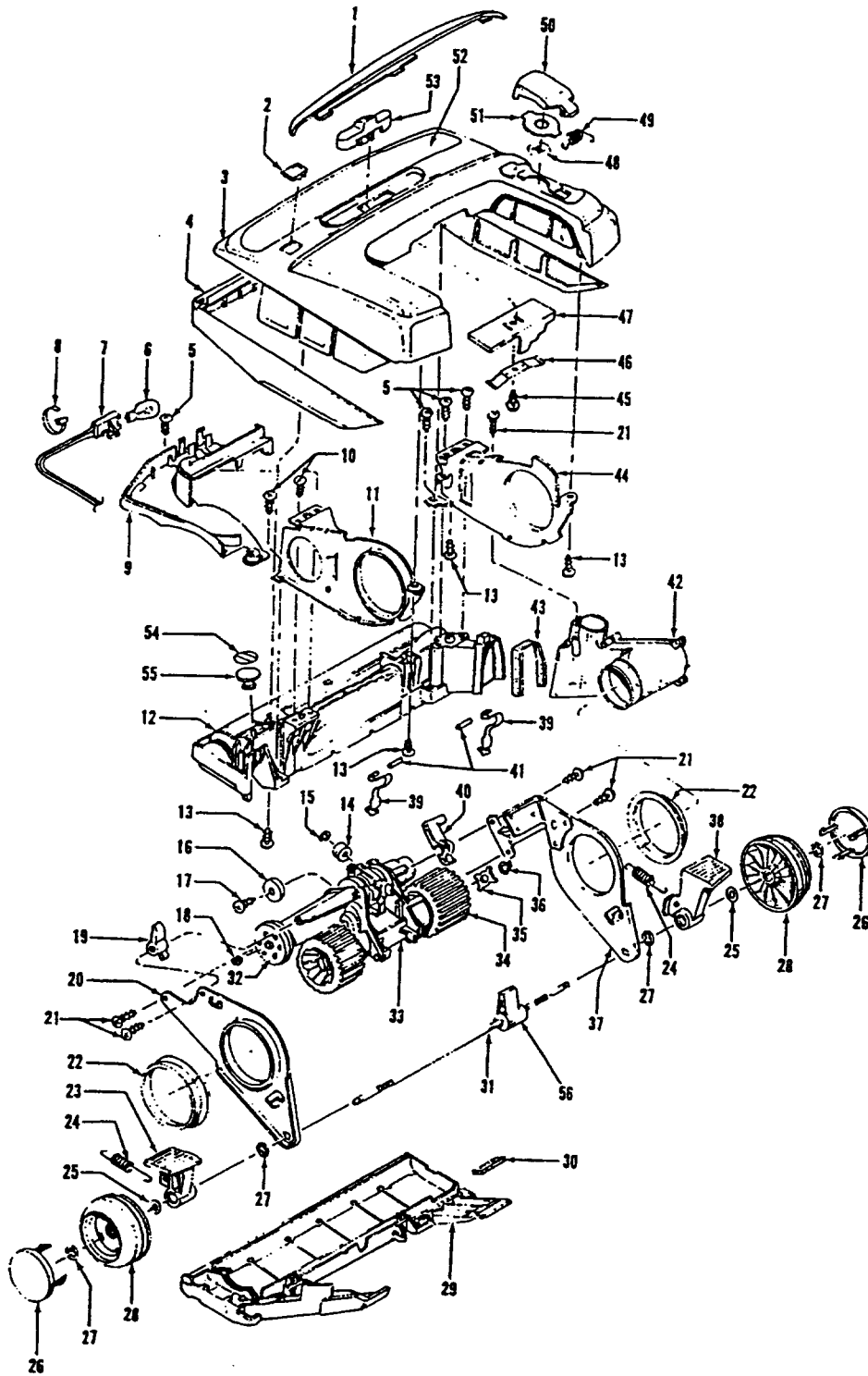
Models U6311-930, U6317-930, U6318-930, U6323-930, U6329-930

Model U6331-930

Model U6319-930

Model U6321-930

Model U6335-930



Power Drive - Agitator Housing

Models U6311-930, U6317-930, U6318-930, U6323-930, U6329-930

Dirt Finder w/Power Drive - Agitator Housing

Model U6331-930

Auto Drive - Agitator Housing

Model U6319-930

TurboPOWER 6000 - Agitator Housing

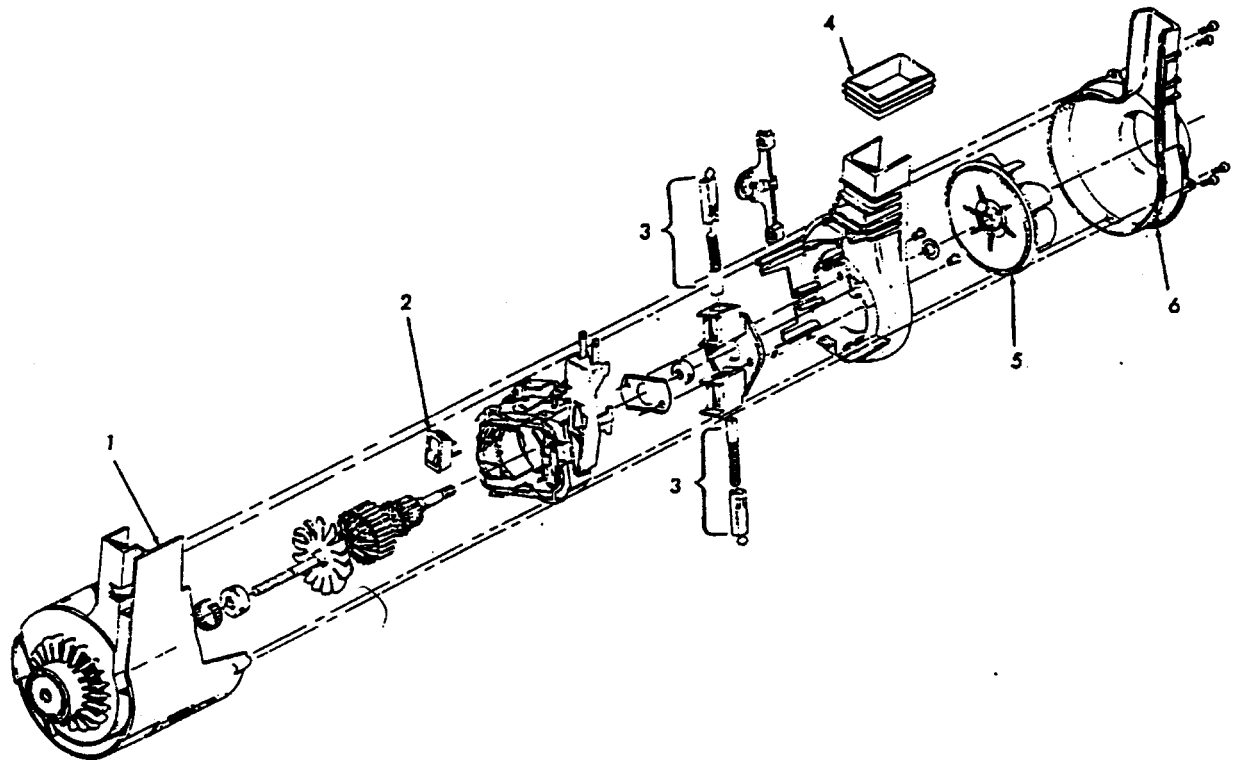
Model U6321-930

TurboPOWER 7000 - Agitator Housing

Model U6335-930

Ref. No.	Part No.	Description	Ref. No.	Part No.	Description
1	39383092	Dirt Finder Lens	36	160014	* Retaining Ring
2	37246005	Belt Indicator Panel - ABR (U6311-930)	37	41967004	Frame Assembly - AG. - R.H.
	37246004	Belt Indicator Panel - AAY (U6317-930)	38	38452059	Handle Release Lever - AG. - R.H.
	37246007	Belt Indicator Panel - MB (U6319-930)	39	34788001	Agitator Clip (2 req'd)
	37246008	Belt Indicator Panel - AG (U6318-930)	40	38562013	Lifter - AG - R.H.
	39382008	+ Belt Indicator Lens - BZ (U6321-930) (U6335-930) (U6323-930) (U6329-930) (U6331-930)	41	31522016	Pin - HE (2 req'd)
3	42252362	Hood Assem. - ABR (U6311-930)	42	43486005	Duct Assembly
	42252365	Hood Assem. - AAY (U6317-930)	43	34123003	Duct Seal
	42252386	Hood Assem. - ABM (U6331-930)	44	35476027	Agitator Housing Bracket - ABD - R.H.
	42252A05	Hood Assem. - AG U6321-930 U6335-930, U6323-930, U6329-930	45	21447203	Screw - Self Tapping - AY
	42252A21	Hood Assem. - AG U6318-930, U6319-930	46	34751002	Detent Spring
4	36235087	Furniture Guard - ABE	47	38563018	Cam - HE
5	21447003	* Screw - Self - Tapping - AY (4)	48	21362006	* Speed Nut
6	27313101	Dirt Finder Lamp	49	38351016	Spring - FW
7	46328002	Dirt Finder Lead Assem.	50	37257191	Air Intake Door Assembly - ABR (incl. 48,51) (U6311-930)
8	27479307	* Lead Wire Tie		37257190	+ Air Intake Door Assembly - AAY (incl. 48,51) (U6317-930)
9	36912006	Dirt Finder Bracket - AG		37257193	Air Intake Door Assembly - ABB (incl. 48,51) (U6323-930)
10	21447203	* Screw - Self Tapping - AY (2)		37257192	Air Intake Door Assembly - MB (incl. 48,51) (U6329-930) (U6319-930)
11	35476016	Agitator Housing Bracket - L.H.		37257194	Air Intake Door Assembly - ABM (incl. it. 48,51) (U6331-930)
12	42246134	Agitator Housing Assem. U6311-930, U6317-930, U6318-930, U6319-930 (Incl. It. 10, 11)		37257202	Air Intake Door Assem. - AG (U6319-930)(U6335-930)(U6321-930) (U6318-930) (Incl. It. 48, 51)
	42246135	Agitator Housing Assem. U6321-930 U6323-930 U6329-930 U6331-930 U6335-930 (Incl. It. 10, 11)	51	38784057	Seal - AG
13	21447014	* Screw - Self Tapping (4)	52	52115201	+ Hood Nameplate (U6311-930)
14	31142014	+* Roller		52115200	Hood Nameplate (U6317-930) (U6319-930), (U6318-930)
15	163699	* Retaining Ring		52115202	+ Hood Nameplate (U6323-930) (U6329-930) (U6331-930)
16	32761003	Wheel		52115205	+ Hood Nameplate (U6321-930) (U6335-930)
17	21479782	+* Self Tapping Screw	53	38421086	Nozzle Adjustment Lever - ABE
18	160031	* Nut (PD. Unit / Pulley) (2)	54	51619004	*+ Belt Indicator Label (U6323-930) U6321-930, U6329-930, U6331-930 U6335-930
19	38562010	Lifter - L.H.	55	32373001	Belt Indicator - BZ (U6323-930) (U6329-930) (U6331-930) (U6321-930) (U6335-930)
20	35476012	Frame - L.H. - AG	56	38452053	Handle Release - AG
21	17001 FW	* Screw - Self Tapping (5)			
22	32155004	Bearing (2)			
23	38452071	Handle Release Lever - L.H. - AG			
24	38335014	Spring (2)			
25	21312772	* Washer - AY (2)			
26	37912013	Wheel Cover (2)			
27	13730--	* Lock Ring (4)			
28	38522032	Rear Wheel - ABE (2)			
29	37245087	Bottom Plate - ABE			
30	34122019	* Bottom Plate Duct Seal			
31	32547002	Rear Axle - AY			
32	38537001	Drive Pulley - AG			
33	43124013	Power Drive Unit - (Inc. items 14, 15, 16, 17, 18, 21, 32, 34(2), 35(2), 36(2), 37, 40)			
34	163340AG	Drive Wheel Assembly			
35	160040AY	Key Lock			

Motor Assembly - 43576102



Ref. No.	Part No.	Description
1	37194035	Motor End Cap - ABE
2	28218043	Switch Assembly - AAP
3	41311016	Brush Holder Assembly (2 req'd)
4	38783020	Duct Seal - AG
5	38755030	Fan - HE
6	38736019	Fan Chamber - ABE